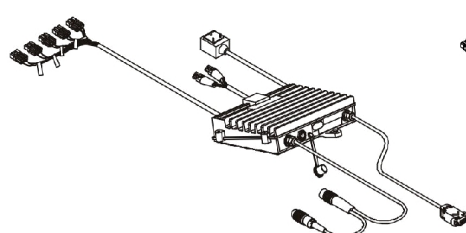
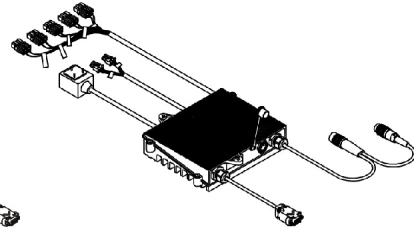


Electronics

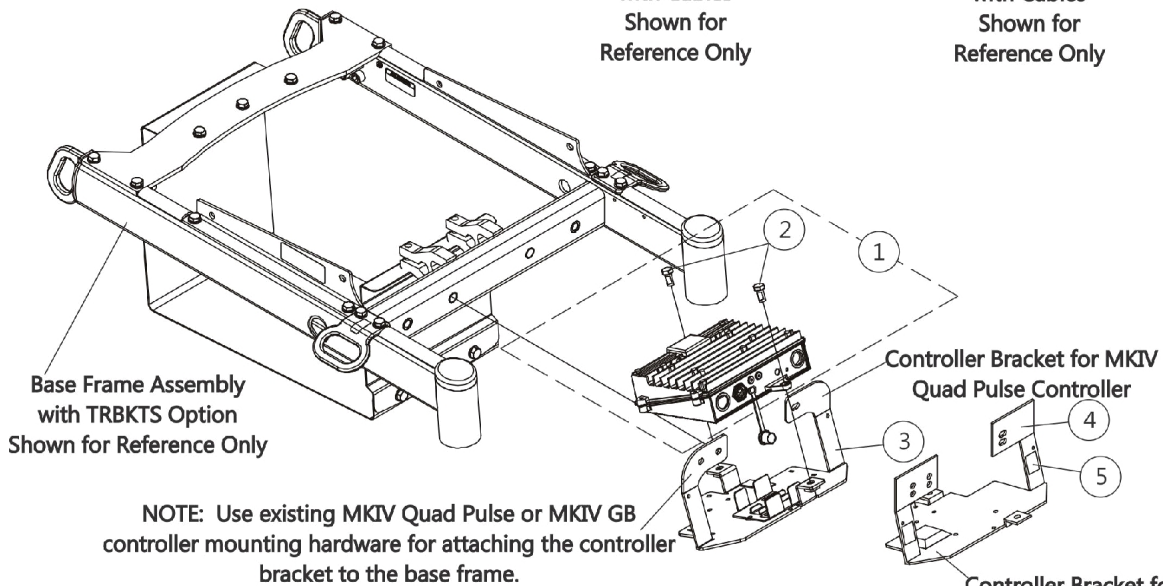
MKIV TRCM 2G, MKIV TAC & 4-Way Switch For TRBKTS Option



MKIV TAC Controller
with Cables
Shown for
Reference Only



2G MKIVTRCM Controller
with Cables
Shown for
Reference Only

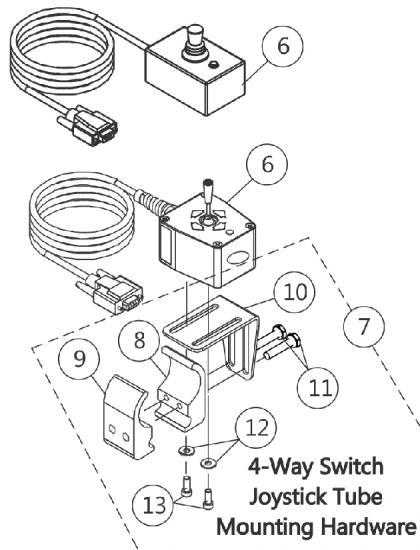


Base Frame Assembly
with TRBKTS Option
Shown for Reference Only

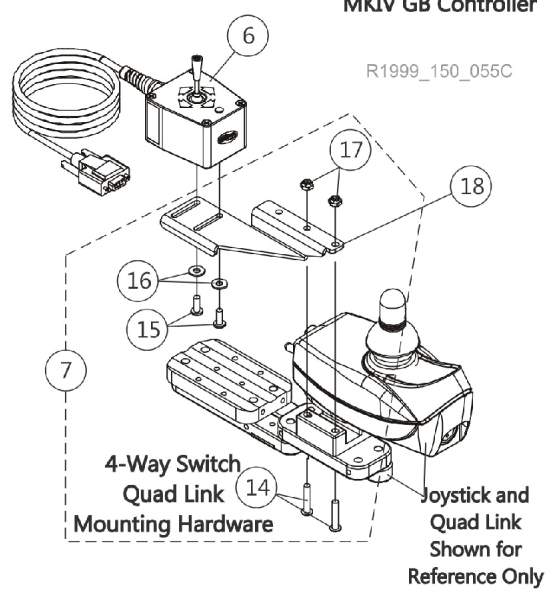
Controller Bracket for MKIV
Quad Pulse Controller

Controller Bracket for
MKIV GB Controller

NOTE: Use existing MKIV Quad Pulse or MKIV GB controller mounting hardware for attaching the controller bracket to the base frame.



4-Way Switch
Joystick Tube
Mounting Hardware



4-Way Switch
Quad Link
Mounting Hardware

Joystick and
Quad Link
Shown for
Reference Only

R1999_150_055C

Electronics

MKIV TRCM 2G, MKIV TAC & 4-Way Switch For TRBKTS Option

Item Number	Note	Part Number	Description	Quantity Per	
				Package	Assembly
1	A	1141275-NLA	NLA - Controller w/ Hardware, MKIV TRCM 2G For TRBKTS Option	1	1
1	A	1141275E-NLA	NLA - Reconditioned - Controller w/ Hardware, MKIV TRCM 2G For TRBKTS Option	1	1
1	B	1140487-NLA	NLA - Controller w/ Hardware, MKIV TAC For TRBKTS Option	1	1
2		1122652	Screw, Hex Head w/ Patch (5/16-18 x 5/8")	1	2
3		1140484-NLA	NLA - Bracket, Controller Mounting, Black	1	1
4		1092659-NLA	NLA - Kit, Controller Mounting Bracket with Fastener Strips, Black	1	1
5		1092662-NLA	NLA - Package, Fastener, Dual Lock 250 (1/2" W x 7/8" L)	10	1
6	F	1080116-NLA	NLA - Switch, 4-Way (FWT)	1	1
6		60105577	Kit, Switch, 4-Way (FWT)	1	1
7	C	1077519	Kit, 4-Way Switch Joystick Tube Mounting Hardware	1	1
8			NLA - Half Clamp, Threaded Holes	1	1
9			Half Clamp, Non-Threaded Holes	1	1
10			NLA - Bracket, Joystick Mounting, Black	1	1
11			NLA - Screw, Hex Head (1/4-20 x 1-1/8")	1	2
12			Washer (#10 Flat)	1	2
13			Screw, Phillips Pan Head (#10-32 x 1/2")	1	2
7	D,G	1139418	Kit, 4-Way Switch Quad Link Mounting Hardware	1	1
14			Screw, Phillips Pan Head w/Patch (#10-32 x 7/8")	1	2
15			Screw, Phillips Pan Head (#10-32 x 1/2")	1	2
16			NLA - Washer, Nylon (#10)	1	2
17			Locknut (#10-32)	1	2
18		1134132	Bracket, 4-Way Switch Quad Link, Black - Right	1	1
18		1134133	Bracket, 4-Way Switch Quad Link, Black - Left	1	1
	E	1090208-NLA	NLA - Service Manual	1	1

NOTE: A - Includes the controller, item 2 and service manual part number 1090208
 B - Includes the controller and item 2
 C - Includes items 8-13
 D - Includes items 14-17
 E - Not Shown
 F - Part # 1080116 is No Longer Available. Order item #6 part number 60105577 as a replacement. New design is rectangular in shape. It is recommended to order new Hardware 1077519 as well.
 G - 4-Way Toggle Switch 60105577 is not compatible with this hardware.