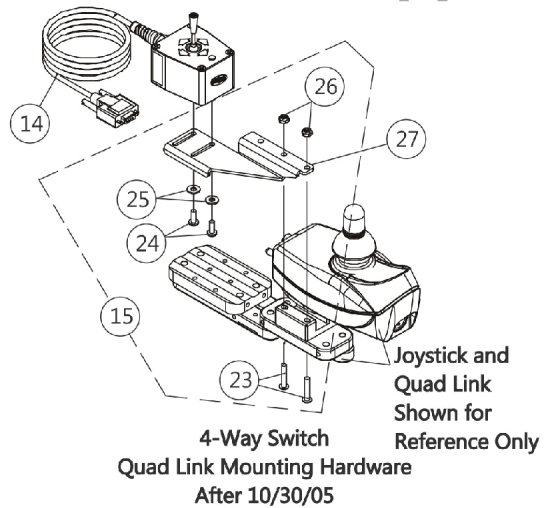
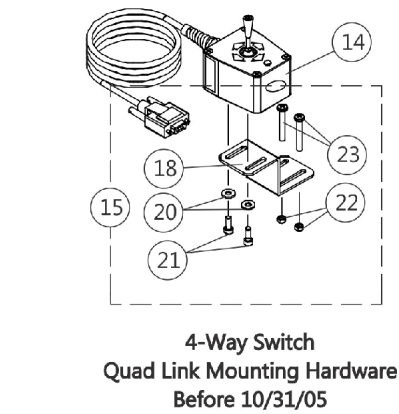
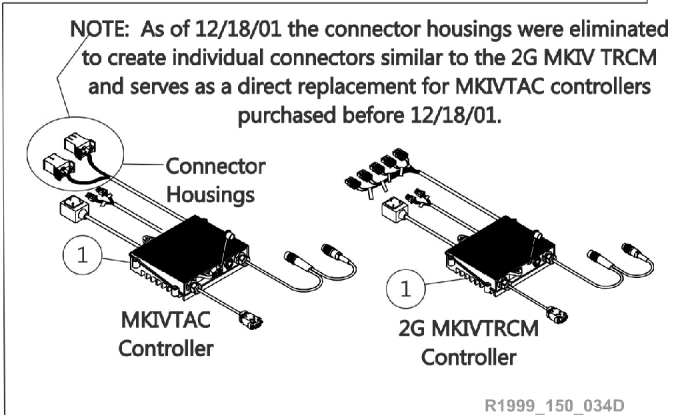
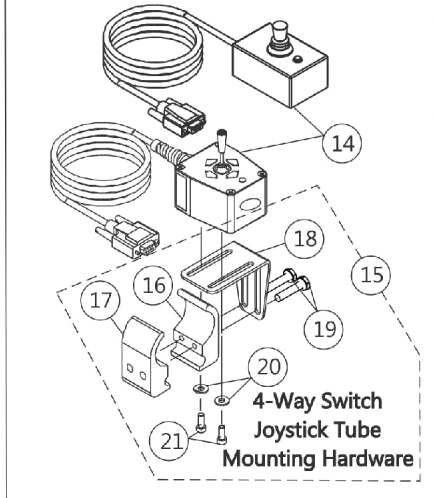
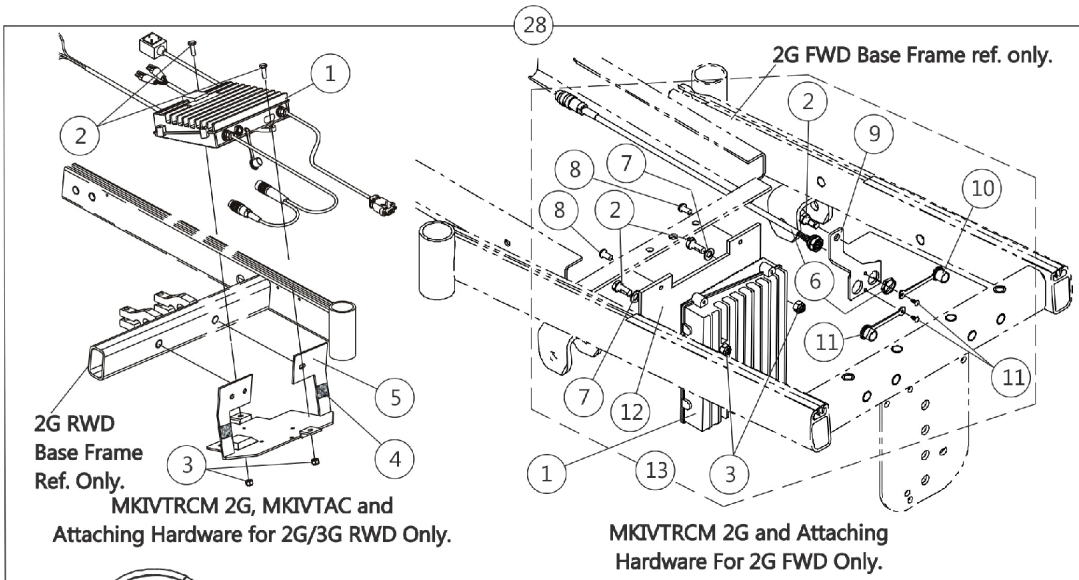


# Electronics

## MKIV TRCM 2G, MKIV TAC & 4-Way Switch



# Electronics

## MKIV TRCM 2G, MKIV TAC & 4-Way Switch

Item Number	Note	Part Number	Description	Quantity Per	
				Package	Assembly
1	B,C,L	1089618	Controller w/ Hardware, MKIV TRCM 2G	1	1
1	B,C,L	1089618E-NLA	NLA - Reconditioned - Controller w/ Hardware, MKIV TRCM 2G	1	1
1	B,D,N	1109548-NLA	NLA - Controller w/ Hardware, MKIV TRCM 2G	1	1
1	B,D,N	1109548E-NLA	NLA - Reconditioned - Controller w/ Hardware, MKIV TRCM 2G	1	1
1	B,C	1104248-NLA	NLA - Controller w/ Hardware, MKIV TAC	1	1
1	B,D,N	1109552-NLA	NLA - Controller w/ Hardware, MKIV TAC	1	1
2	M	1070462-NLA	NLA - Screw, Hex Head w/ Patch (5/16-18 x 7/8")	1	2
3		1028769	Locknut (5/16-18)	1	2
4		1092662-NLA	NLA - Package, Fastener, Dual Lock 250 (1/2" W x 7/8" L)	10	1
5		1092659-NLA	NLA - Kit, Controller Mounting Bracket with Fastener Strips, Black	1	1
6		1092912-NLA	NLA - Programmer Extension Cable Assembly (18" Long)	1	1
7		1025704	Washer, Flat (5/16 x 5/8 x 1/16")	1	2
8		1006773-NLA	NLA - Screw, Socket Button Head (1/4-20 x 1/2")	1	2
9		1093307-NLA	NLA - Bracket, Port, Black	1	1
10		1037373-NLA	NLA - Cover, Splash	1	2
11		1040226-NLA	NLA - Rivet, Nylon	1	2
12		1091531-NLA	NLA - Bracket, Controller Mounting, Black	1	1
13	E	1105686-NLA	NLA - Hardware, TRCM 2G/ TAC (FWD) Mounting	1	1
14	Q	1080116-NLA	NLA - Switch, 4-Way (FWT)	1	1
14		60105577	Kit, Switch, 4-Way (FWT)	1	1
15	F	1077519	Kit, 4-Way Switch Joystick Tube Mounting Hardware	1	1
16			NLA - Half Clamp, Threaded Holes	1	1
17			Half Clamp, Non-Threaded Holes	1	1
18			NLA - Bracket, Joystick Mounting, Black	1	1
19			NLA - Screw, Hex Head (1/4-20 x 1-1/8")	1	2
20			Washer (#10 Flat)	1	2
21			Screw, Phillips Pan Head (#10-32 x 1/2")	1	2
15	G,R	1077520	NLA - Kit, 4-Way Switch Quad Link Mounting Hardware	1	1
18			NLA - Bracket, Quad Link Mounting, Black	1	1
20			Washer (#10 Flat)	1	2
21			Screw, Phillips Pan Head (#10-32 x 1/2")	1	2
22			Locknut (#10-32)	1	2
23			Screw, Phillips Pan Head (#10-32 x 1-3/8")	1	2
15	O,R	1139418	Kit, 4-Way Switch Quad Link Mounting Hardware	1	1
23			Screw, Phillips Pan Head w/Patch (#10-32 x 7/8")	1	2
24			Screw, Phillips Pan Head (#10-32 x 1/2")	1	2
25			NLA - Washer, Nylon (#10)	1	2
26			Locknut (#10-32)	1	2
27		1134132	Bracket, 4-Way Switch Quad Link, Black - Right	1	1
27		1134133	Bracket, 4-Way Switch Quad Link, Black - Left	1	1

# Electronics

## MKIV TRCM 2G, MKIV TAC & 4-Way Switch

Item Number	Note	Part Number	Description	Quantity Per	
				Package	Assembly
28	H,K	1102599-NLA	NLA - Kit, Controller Upgrade, 2G RWD	1	1
28	I,K	1102638-NLA	NLA - Kit, Controller Upgrade, 2G FWD	1	1
28	H,K	1104254-NLA	NLA - Kit, Controller Upgrade, TAC RWD	1	1
28	I,K	1105685-NLA	NLA - Kit, Controller Upgrade, TAC FWD	1	1
	A,P	1098341-NLA	NLA - Instruction Sheet, MKIV TRCM 2G Upgrade	1	1
	A,P	1104244-NLA	NLA - Instruction Sheet, Tilt/ Recline Pot Removal	1	1
	A	1104912	Instruction Sheet, MKIV TAC	1	1
	A,J	1090208-NLA	NLA - Service Manual	1	1

NOTE:

- A - Not Shown
- B - Includes Items 2-3
- C - Before 5/1/02
- D - After 4/30/02
- E - Includes Items 2,3,6-12
- F - Includes Items 16-21
- G - Before 10/31/05 and Includes Items 18 and 20-23
- H - Includes Items 1, 14, 15, and Instruction Sheet
- I - Includes Items 1, 13-15, and Instruction Sheet
- J - All Systems
- K - Kits come standard with item 15 part # (1077519 joystick tube mounting hardware). For Quad Link Assemblies, item 15 part # (1077520 Quad Link Mounting Hardware) or (1139418 Quad Link Mounting Hardware with item 27) must be ordered as well.
- L - TRCM 2G Controller software version changed from 2.2 to 2.21 as of 1/11/01. The controller will include instruction sheet part number 1104244 that relates to software version 2.21 only and a service manual part number 1090208.
- M - MKIV TRCM attaching hardware for 2G FWD uses a quantity of 3 Hex Head Cap Screws.
- N - MKIV TRCM part number 1109548 and TAC part number 1109552 is not compatible for power legs with an inline actuator made before 5/1/02.
- O - After 10/30/05 and includes items 23-26
- P - Item is no longer available from the Invacare Service Parts Department. Refer to the Invacare Website under "Product Literature Search". Enter the part number in the "Keywords" field and download a free PDF version copy.
- Q - Part # 1080116 is No Longer Available. Order item #14 part number 60105577 as a replacement. New design is rectangular in shape. It is recommended to order new Hardware 1077519 as well.
- R - 4-Way Toggle Switch 60105577 is not compatible with this hardware.