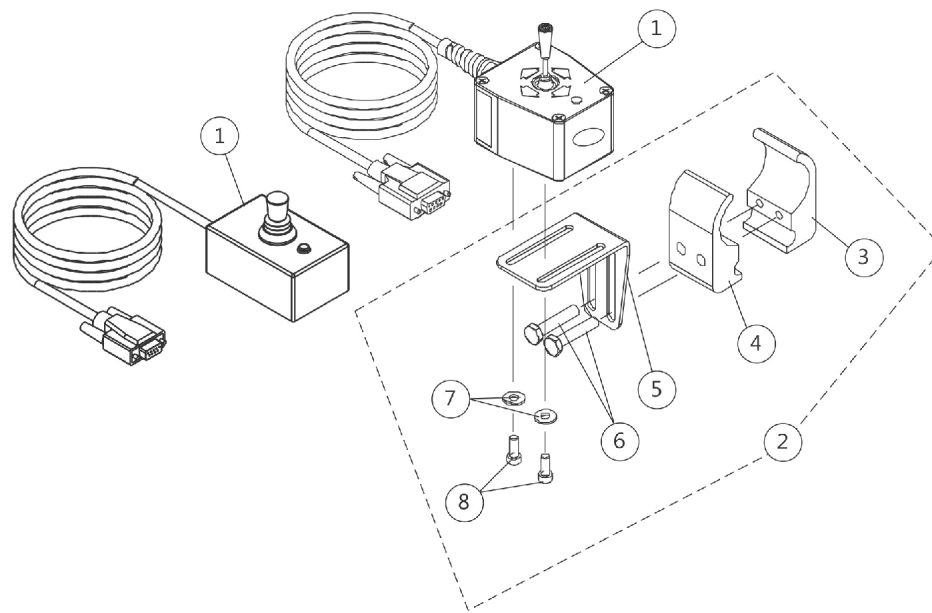
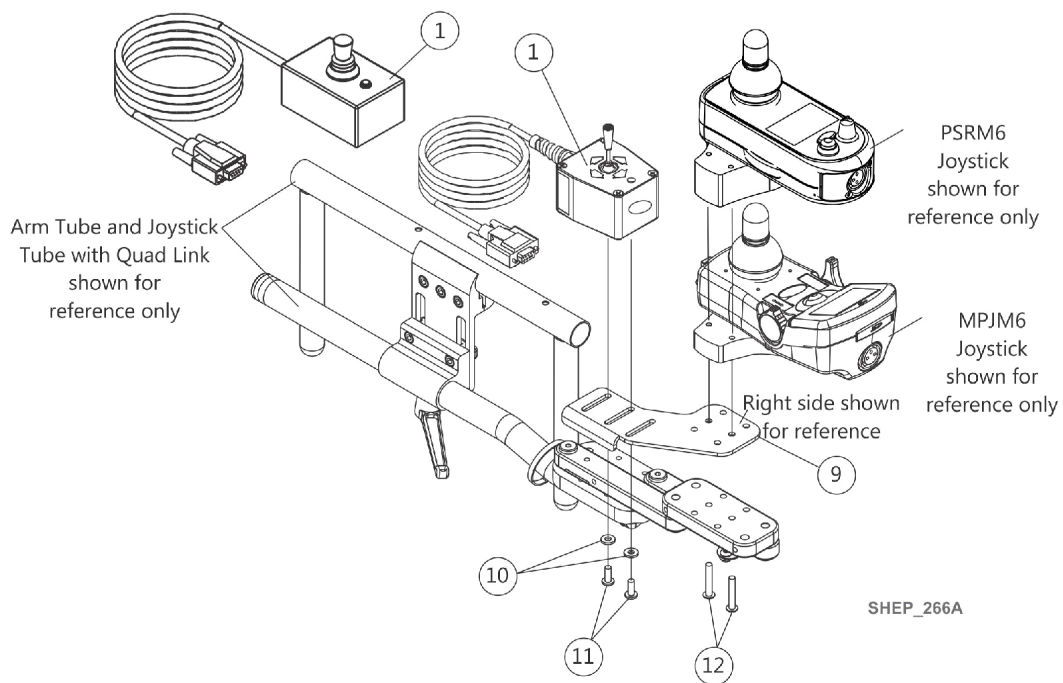


# 4-Way Toggle Switch (FWT) and Mounting Hardware



**4-Way Switch  
Joystick Tube Mounting Hardware**



**4-Way Switch  
Quad Link Mounting Hardware**

## 4-Way Toggle Switch (FWT) and Mounting Hardware

Item Number	Note	Part Number	Description	Quantity Per	
				Package	Assembly
1	F	1080116-NLA	NLA - Switch, 4-Way (FWT)	1	1
1		60105577	Kit, Switch, 4-Way (FWT)	1	1
2	A,B	1077519	Kit, 4-Way Switch Joystick Tube Mounting Hardware	1	1
3			NLA - Half Clamp, Threaded Holes	1	1
4			Half Clamp, Non-Threaded Holes	1	1
5			NLA - Bracket, Joystick Mounting, Black	1	1
6			NLA - Screw, Hex Head (1/4-20 x 1-1/8")	1	2
7			Washer (#10 Flat)	1	2
8			Screw, Phillips Pan Head (#10-32 x 1/2")	1	2
9		1145404	Bracket, 4-Way Switch, Black - Right	1	1
9		1145405	Bracket, 4-Way Switch - Left	1	1
10		1059111-NLA	NLA - Washer, Nylon (#10)	1	2
11		1026114	Screw, Phillips Pan Head (#10-32 x 1/2")	1	2
12	C	1025714	Screw, Phillips Pan Head (#10-32 x 1-1/8")	1	2
12	D	1025723	Screw, Phillips Pan Head w/ Patch (#10-32 x 1-5/8")	1	2

NOTE: A - Includes items 3-8.  
 B - As of 5/22/07 the orientation of the Hardware was revised to attach the electronics closer to the chair. The Mounting Hardware Kit is backward compatible.  
 C - Before 10/31/07. The 1-1/8" long screw is used with Joystick Clamp 5/8" thick material.  
 D - After 10/30/07. Joystick Clamp was revised from 5/8" to 1-1/4" material 10/31/07 to accommodate not only the MPJM6 but the PSFM6/PSRM6 Joysticks also.  
 F - Part # 1080116 is No Longer Available. Order item #1 part number 60105577 as a replacement. New design is rectangular in shape. It is recommended to order new Hardware as well.