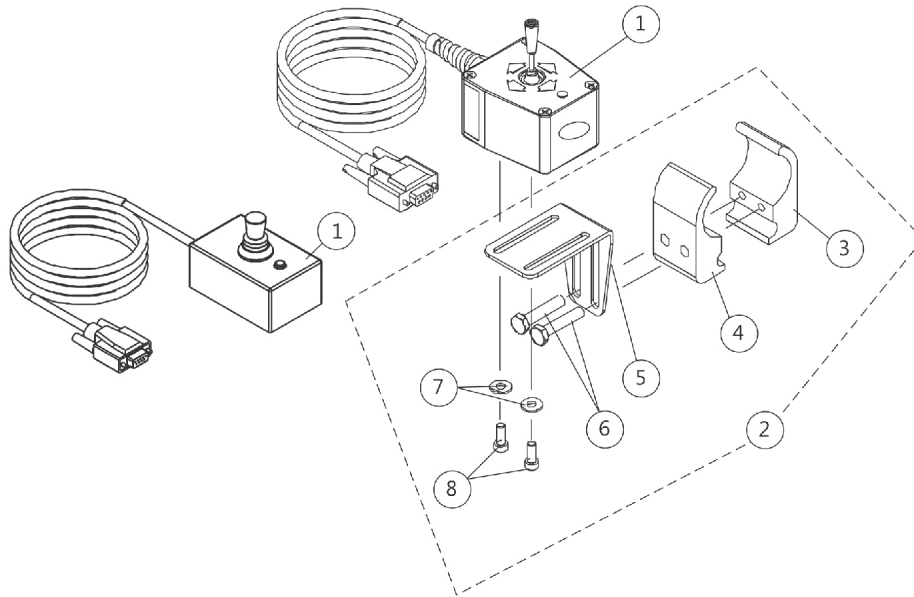


Electronics

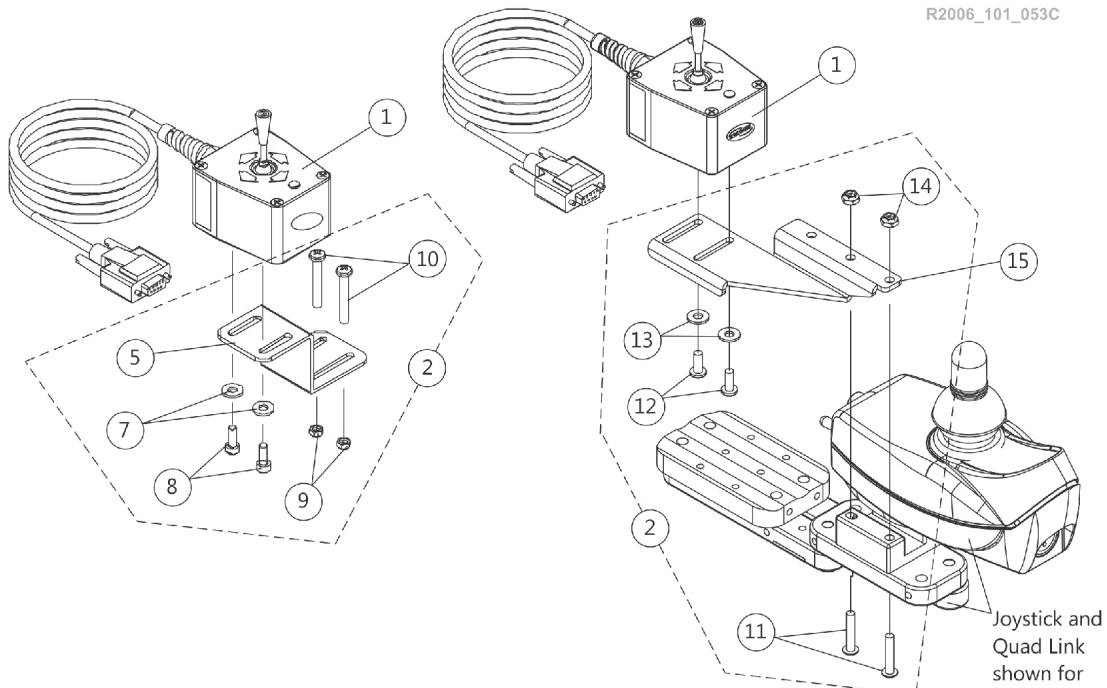
4-Way Switch and Mounting Hardware

NOTE: 4-way switch and MK5 T.A.C. controller are used for ELRPW power articulating legrest.



4-Way Switch
Joystick Tube Mounting Hardware

R2006_101_053C



4-Way Switch
Quad Link Mounting Hardware
Before 10/31/05

4-Way Switch
Quad Link Mounting Hardware
After 10/30/05

Electronics

4-Way Switch and Mounting Hardware

NOTE: 4-way switch and MK5 T.A.C. controller are used for ELRPW power articulating legrest.

| Item Number | Note | Part Number | Description | Quantity Per | |
|-------------|------|-------------|---|--------------|----------|
| | | | | Package | Assembly |
| 1 | D | 1080116-NLA | NLA - Switch, 4-Way (FWT) | 1 | 1 |
| 1 | | 60105577 | Kit, Switch, 4-Way (FWT) | 1 | 1 |
| 2 | A | 1077519 | Kit, 4-Way Switch Joystick Tube Mounting Hardware | 1 | 1 |
| 3 | | | NLA - Half Clamp, Threaded Holes | 1 | 1 |
| 4 | | | Half Clamp, Non-Threaded Holes | 1 | 1 |
| 5 | | | NLA - Bracket, Joystick Mounting, Black | 1 | 1 |
| 6 | | | NLA - Screw, Hex Head (1/4-20 x 1-1/8") | 1 | 2 |
| 7 | | | Washer (#10 Flat) | 1 | 2 |
| 8 | | | Screw, Phillips Pan Head (#10-32 x 1/2") | 1 | 2 |
| 2 | E,B | 1077520-NLA | NLA - Kit, 4-Way Switch Quad Link Mounting Hardware | 1 | 1 |
| 5 | | | NLA - Bracket, Quad Link Mounting, Black | 1 | 1 |
| 7 | | | Washer (#10 Flat) | 1 | 2 |
| 8 | | | Screw, Phillips Pan Head (#10-32 x 1/2") | 1 | 2 |
| 9 | | | Locknut (#10-32) | 1 | 2 |
| 10 | | | Screw, Phillips Pan Head (#10-32 x 1-3/8") | 1 | 2 |
| 2 | C,E | 1139418 | Kit, 4-Way Switch Quad Link Mounting Hardware | 1 | 1 |
| 11 | | | Screw, Phillips Pan Head w/Patch (#10-32 x 7/8") | 1 | 2 |
| 12 | | | Screw, Phillips Pan Head (#10-32 x 1/2") | 1 | 2 |
| 13 | | | NLA - Washer, Nylon (#10) | 1 | 2 |
| 14 | | | Locknut (#10-32) | 1 | 2 |
| 15 | | 1134132 | Bracket, 4-Way Switch Quad Link, Black - Right | 1 | 1 |
| 15 | | 1134133 | Bracket, 4-Way Switch Quad Link, Black - Left | 1 | 1 |

NOTE: A - Includes items 3-8
 B - Before 10/31/05. Includes items 5 and 7-10
 C - After 10/30/05. Includes items 11-14.
 D - Part #1080116 is No Longer Available. Order Item #1 part number 60105577 as a replacement. New design is rectangular in shape. It is recommended to order new hardware 1077519 as well.
 E - 4-Way Toggle Switch 60105577 is not compatible with this hardware.