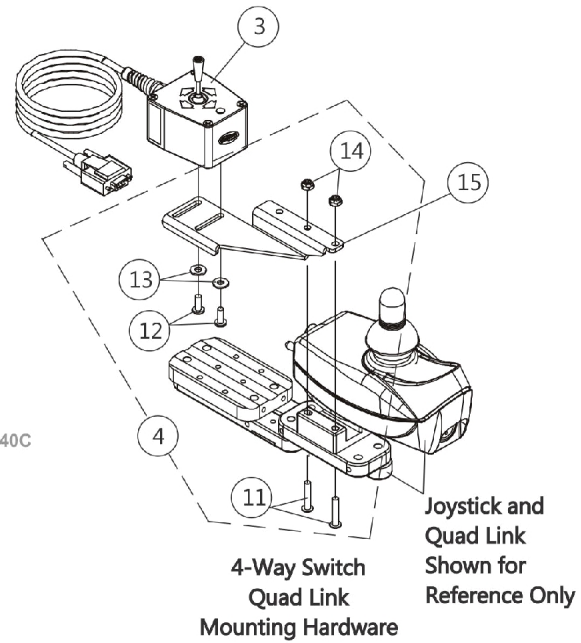
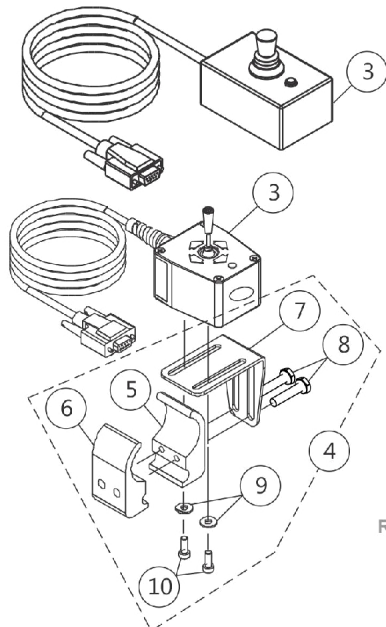
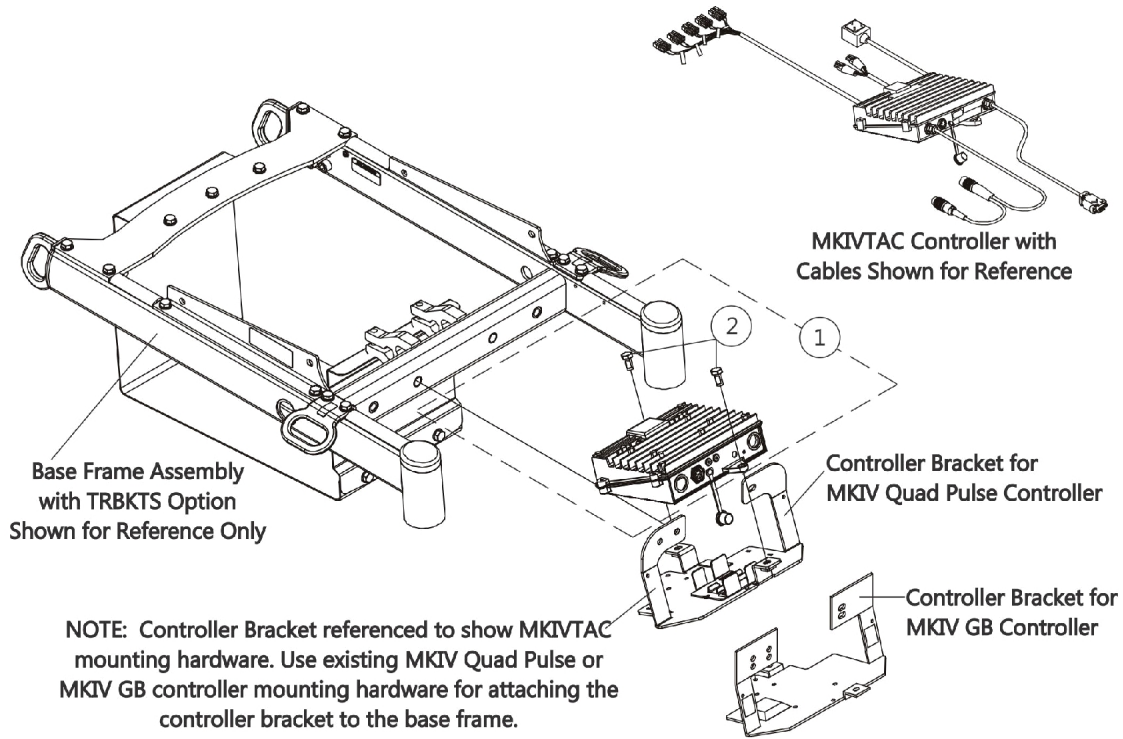


MKIV TAC and 4-Way Switch For TRBKTS Option

NOTE: MKIV TAC and 4-way switch are used when Power Articulating Legrest Kits are ordered.



R2006_100_040C

MKIV TAC and 4-Way Switch For TRBKTS Option

NOTE: MKIV TAC and 4-way switch are used when Power Articulating Legrest Kits are ordered.

Item Number	Note	Part Number	Description	Quantity Per	
				Package	Assembly
1	A	1140487-NLA	NLA - Controller w/ Hardware, MKIV TAC For TRBKTS Option	1	1
2		1122652	Screw, Hex Head w/ Patch (5/16-18 x 5/8")	1	2
3	D	1080116-NLA	NLA - Switch, 4-Way (FWT)	1	1
3		60105577	Kit, Switch, 4-Way (FWT)	1	1
4	B	1077519	Kit, 4-Way Switch Joystick Tube Mounting Hardware	1	1
5			NLA - Half Clamp, Threaded Holes	1	1
6			Half Clamp, Non-Threaded Holes	1	1
7			NLA - Bracket, Joystick Mounting, Black	1	1
8			NLA - Screw, Hex Head (1/4-20 x 1-1/8")	1	2
9			Washer (#10 Flat)	1	2
10			Screw, Phillips Pan Head (#10-32 x 1/2")	1	2
4	C,E	1139418	Kit, 4-Way Switch Quad Link Mounting Hardware	1	1
11			Screw, Phillips Pan Head w/Patch (#10-32 x 7/8")	1	2
12			Screw, Phillips Pan Head (#10-32 x 1/2")	1	2
13			NLA - Washer, Nylon (#10)	1	2
14			Locknut (#10-32)	1	2
15		1134132	Bracket, 4-Way Switch Quad Link, Black - Right	1	1
15		1134133	Bracket, 4-Way Switch Quad Link, Black - Left	1	1

NOTE: A - Includes the controller, item 2 and used for TRBKTS Option.
 B - Includes items 5-10
 C - Includes items 11-14
 D - Part # 1080116 is No Longer Available. Order item #3 part number 60105577 as a replacement. New design is rectangular in shape. It is recommended to order new Hardware 1077519 as well.
 E - Part # 60105577 4-Way Toggle Switch is not compatible with this hardware.