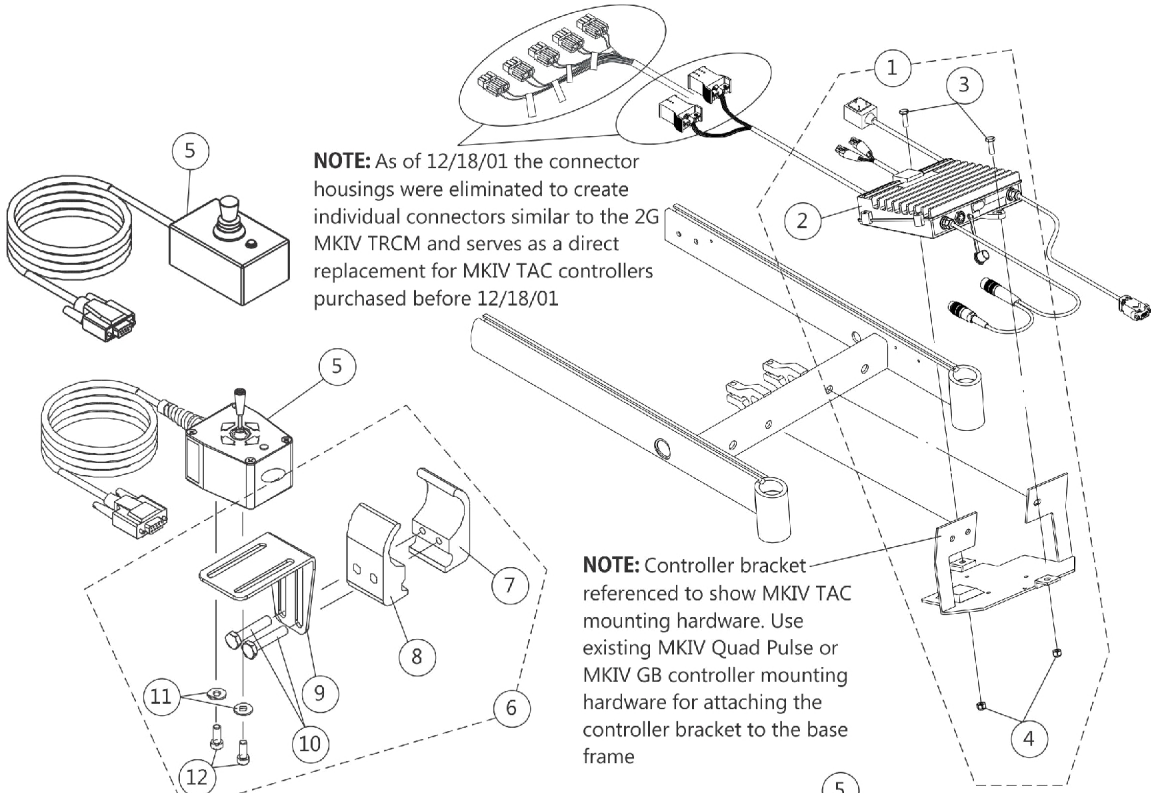
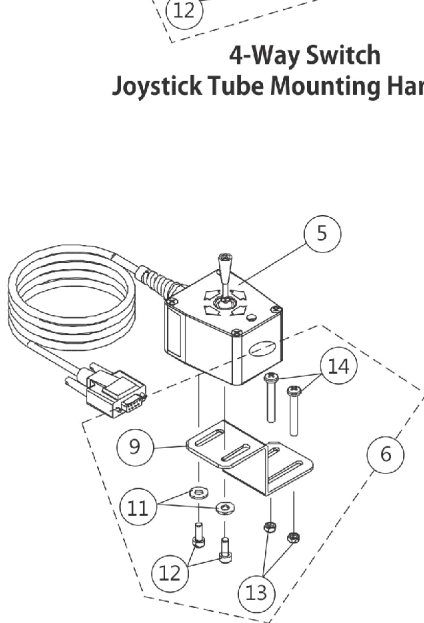


MKIV TAC and 4-Way Switch

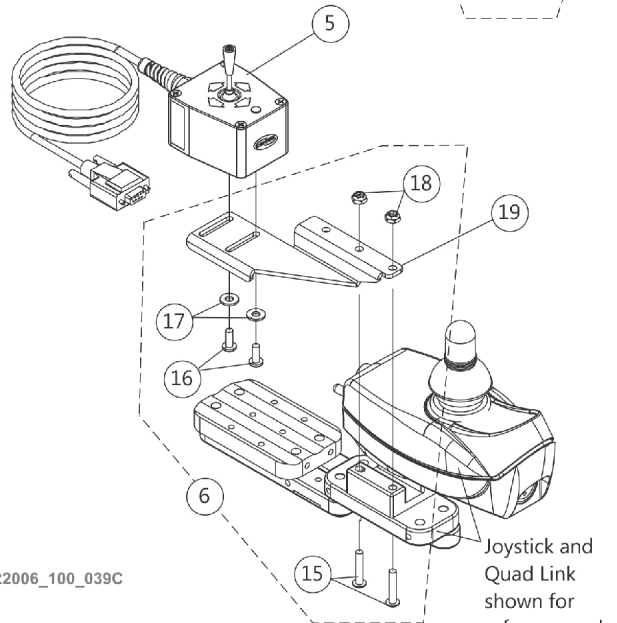
NOTE: MKIV TAC and 4-way switch are used when Power Articulating Legrest Kits are ordered.



4-Way Switch Joystick Tube Mounting Hardware



4-Way Switch Quad Link Mounting Hardware Before 10/31/05



4-Way Switch Quad Link Mounting Hardware After 10/30/05

R2006_100_039C

MKIV TAC and 4-Way Switch

NOTE: MKIV TAC and 4-way switch are used when Power Articulating Legrest Kits are ordered.

Item Number	Note	Part Number	Description	Quantity Per	
				Package	Assembly
1	A,F	1104248-NLA	NLA - Controller w/ Hardware, MKIV TAC	1	1
1	B,E,F	1109552-NLA	NLA - Controller w/ Hardware, MKIV TAC	1	1
2	G	1098915-NLA	NLA - Controller, MKIV TAC	1	1
3		1070462-NLA	NLA - Screw, Hex Head w/ Patch (5/16-18 x 7/8")	1	2
4		1028769	Locknut (5/16-18)	1	2
5	I	1080116-NLA	NLA - Switch, 4-Way (FWT)	1	1
5		60105577	Kit, Switch, 4-Way (FWT)	1	1
6	C	1077519	Kit, 4-Way Switch Joystick Tube Mounting Hardware	1	1
7			NLA - Half Clamp, Threaded Holes	1	1
8			Half Clamp, Non-Threaded Holes	1	1
9			NLA - Bracket, Joystick Mounting, Black	1	1
10			NLA - Screw, Hex Head (1/4-20 x 1-1/8")	1	2
11			Washer (#10 Flat)	1	2
12			Screw, Phillips Pan Head (#10-32 x 1/2")	1	2
6	D,J	1077520-NLA	NLA - Kit, 4-Way Switch Quad Link Mounting Hardware	1	1
9			NLA - Bracket, Quad Link Mounting, Black	1	1
11			Washer (#10 Flat)	1	2
12			Screw, Phillips Pan Head (#10-32 x 1/2")	1	2
13			Locknut (#10-32)	1	2
14			Screw, Phillips Pan Head (#10-32 x 1-3/8")	1	2
6	H,J	1139418	Kit, 4-Way Switch Quad Link Mounting Hardware	1	1
15			Screw, Phillips Pan Head w/Patch (#10-32 x 7/8")	1	2
16			Screw, Phillips Pan Head (#10-32 x 1/2")	1	2
17			NLA - Washer, Nylon (#10)	1	2
18			Locknut (#10-32)	1	2
19		1134132	Bracket, 4-Way Switch Quad Link, Black - Right	1	1
19		1134133	Bracket, 4-Way Switch Quad Link, Black - Left	1	1

NOTE: A - Before 5/1/02
 B - After 4/30/02
 C - Includes items 7-12
 D - Before 11/31/05 and Includes items 9 and 11-14
 E - MKIV T.A.C. part number 1109552 is not compatible with power legs with an inline actuator made before 5/1/02
 F - Includes items 2-4
 G - Part number 1098915 is being sold with the hardware. See item #1 part number 1104248
 H - After 11/30/05 and includes items 15-19
 I - Part # 1080116 is No Longer Available. Order item #1 part number 60105577 as a replacement. New design is rectangular in shape. It is recommended to order new Hardware 1077519 as well.
 J - 4-Way Toggle Switch 60105577 is not compatible with this hardware.