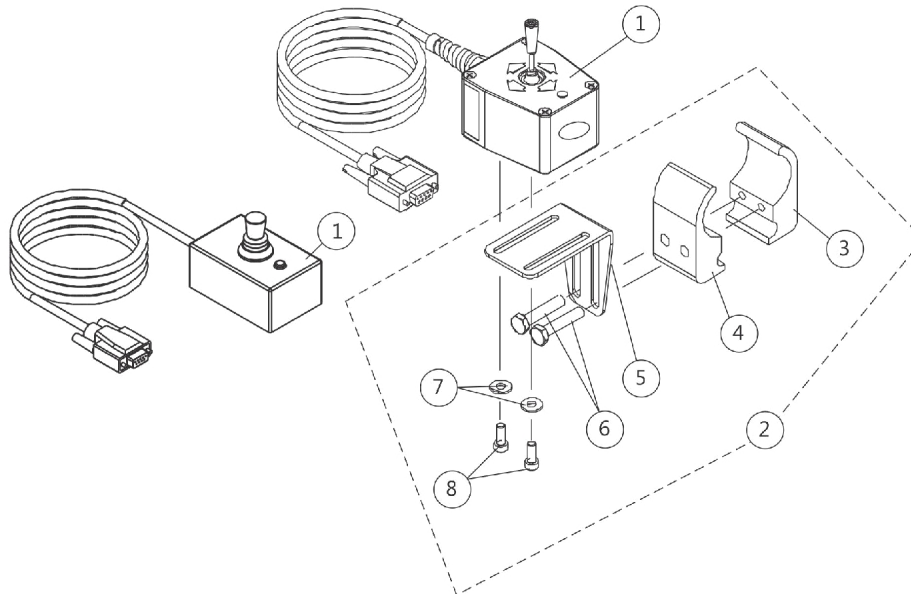


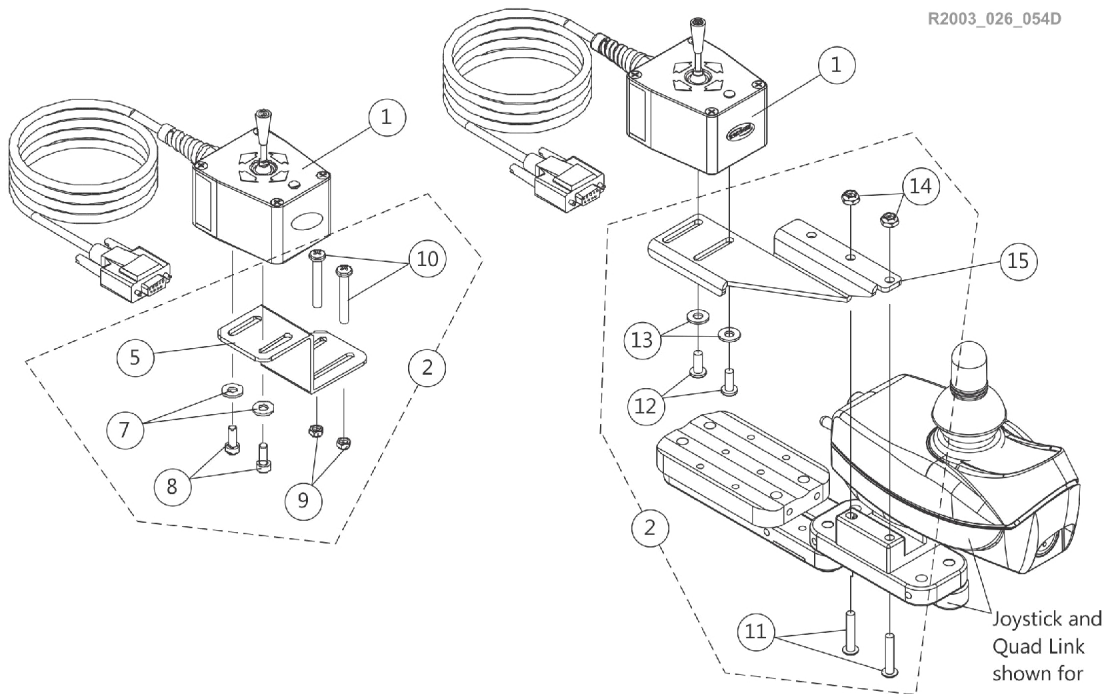
4-Way Switch and Mounting Hardware

NOTE: 4-way switch is used with a MK5 TAC or MK5 TRCM controller



4-Way Switch
Joystick Tube Mounting Hardware

R2003_026_054D



4-Way Switch
Quad Link Mounting Hardware
Before 10/31/05

4-Way Switch
Quad Link Mounting Hardware
After 10/30/05

Joystick and
Quad Link
shown for

4-Way Switch and Mounting Hardware

NOTE: 4-way switch is used with a MK5 TAC or MK5 TRCM controller

Item Number	Note	Part Number	Description	Quantity Per	
				Package	Assembly
1	D	1080116-NLA	NLA - Switch, 4-Way (FWT)	1	1
1		60105577	Kit, Switch, 4-Way (FWT)	1	1
2	A	1077519	Kit, 4-Way Switch Joystick Tube Mounting Hardware	1	1
3			NLA - Half Clamp, Threaded Holes	1	1
4			Half Clamp, Non-Threaded Holes	1	1
5			NLA - Bracket, Joystick Mounting, Black	1	1
6			NLA - Screw, Hex Head (1/4-20 x 1-1/8")	1	2
7			Washer (#10 Flat)	1	2
8			Screw, Phillips Pan Head (#10-32 x 1/2")	1	2
2	B,E	1077520-NLA	NLA - Kit, 4-Way Switch Quad Link Mounting Hardware	1	1
5			NLA - Bracket, Quad Link Mounting, Black	1	1
7			Washer (#10 Flat)	1	2
8			Screw, Phillips Pan Head (#10-32 x 1/2")	1	2
9			Locknut (#10-32)	1	2
10			Screw, Phillips Pan Head (#10-32 x 1-3/8")	1	2
2	C,E	1139418	Kit, 4-Way Switch Quad Link Mounting Hardware	1	1
11			Screw, Phillips Pan Head w/Patch (#10-32 x 7/8")	1	2
12			Screw, Phillips Pan Head (#10-32 x 1/2")	1	2
13			NLA - Washer, Nylon (#10)	1	2
14			Locknut (#10-32)	1	2
15		1134132	Bracket, 4-Way Switch Quad Link, Black - Right	1	1
15		1134133	Bracket, 4-Way Switch Quad Link, Black - Left	1	1
<p>NOTE: A - Includes items 3-8 B - Before 10/31/05. Includes items 5 and 7-10 C - After 10/30/05. Includes items 11-14. D - Part #1080116 is No Longer Available. Order Item #1 part number 60105577 as a replacement. New design is rectangular in shape. It is recommended to order new hardware 1077519 as well. E - 4-Way Toggle Switch 60105577 is not compatible with this hardware.</p>					