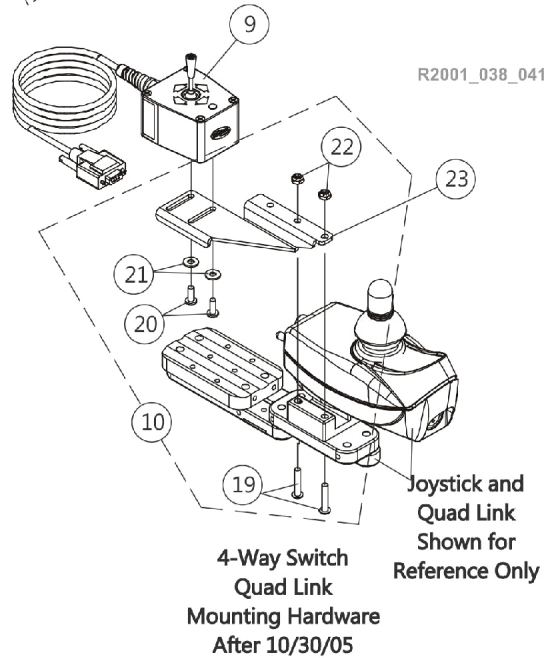
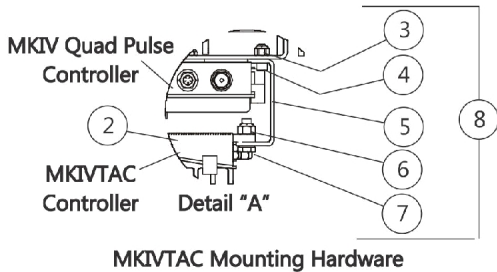
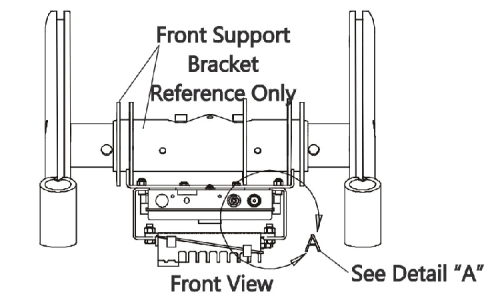
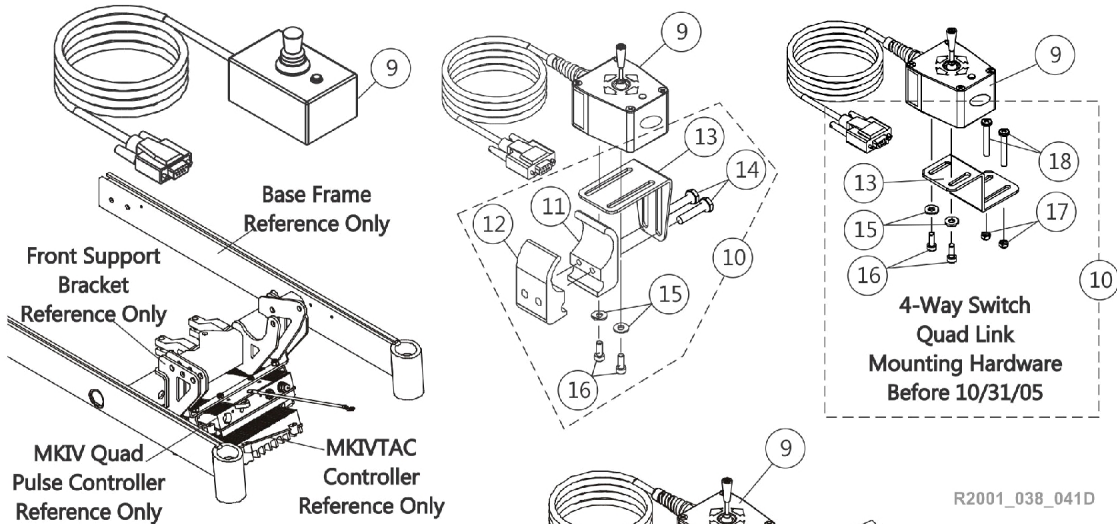
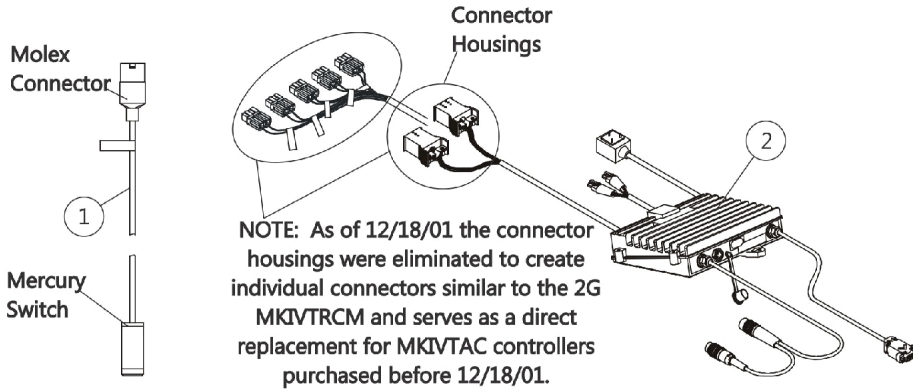


# MKIV TAC Controller and 4-Way Switch without Elevating Seat

As of 7/1/2009, switches are mercury free.



# MKIV TAC Controller and 4-Way Switch without Elevating Seat

As of 7/1/2009, switches are mercury free.

Item Number	Note	Part Number	Description	Quantity Per	
				Package	Assembly
1		1080634-NLA	NLA - Harness, Drive Lockout Mercury Free Ball Switch	1	2
2		1098915-NLA	NLA - Controller, MKIV TAC	1	1
3		1025736	Locknut (1/4-20)	1	2
4		1007219	Screw, Socket Head (1/4-20 x 5/8")	1	2
5		1115465-NLA	NLA - Bracket, P.T.O./T.A.C. Mounting, Black	1	1
6		1026158	Locknut (5/16-18)	1	2
7		1070462-NLA	NLA - Screw, Hex Head w/ Patch (5/16-18 x 7/8")	1	2
8	A	1111050-NLA	NLA - Controller w/ Hardware, MKIV TAC	1	1
8	A	1111050E-NLA	NLA - Reconditioned - Controller w/ Hardware, MKIV TAC	1	1
9	G	1080116-NLA	NLA - Switch, 4-Way (FWT)	1	1
9		60105577	Kit, Switch, 4-Way (FWT)	1	1
10	C	1077519	Kit, 4-Way Switch Joystick Tube Mounting Hardware	1	1
11			NLA - Half Clamp, Threaded Holes	1	1
12			Half Clamp, Non-Threaded Holes	1	1
13			NLA - Bracket, Joystick Mounting, Black	1	1
14			NLA - Screw, Hex Head (1/4-20 x 1-1/8")	1	2
15			Washer (#10 Flat)	1	2
16			Screw, Phillips Pan Head (#10-32 x 1/2")	1	2
10	B,H	1077520-NLA	NLA - Kit, 4-Way Switch Quad Link Mounting Hardware	1	1
13			NLA - Bracket, Quad Link Mounting, Black	1	1
15			Washer (#10 Flat)	1	2
16			Screw, Phillips Pan Head (#10-32 x 1/2")	1	2
17			Locknut (#10-32)	1	2
18			Screw, Phillips Pan Head (#10-32 x 1-3/8")	1	2
10	F,H	1139418	Kit, 4-Way Switch Quad Link Mounting Hardware	1	1
19			Screw, Phillips Pan Head w/Patch (#10-32 x 7/8")	1	2
20			Screw, Phillips Pan Head (#10-32 x 1/2")	1	2
21			NLA - Washer, Nylon (#10)	1	2
22			Locknut (#10-32)	1	2
23		1134132	Bracket, 4-Way Switch Quad Link, Black - Right	1	1
23		1134133	Bracket, 4-Way Switch Quad Link, Black - Left	1	1
18		1026107	Screw, Phillips Pan Head (#10-32 x 1-3/8")	1	2
	D	1106544	NLA - Kit, Switch Clip with Mounting Hardware	1	1
			NLA - Bracket, Cable/Wire Mounting, Black	1	1
			Screw, Phillips Pan Head Tap (#10-16 x 3/4")	1	1
			Lockwasher, External Tooth (#10)	1	1

# MKIV TAC Controller and 4-Way Switch without Elevating Seat

As of 7/1/2009, switches are mercury free.

NOTE: A - Includes items 2-7  
B - Before 11/31/05 and Includes items 13 and 15-18  
C - Includes items 11-16  
D - Not Shown and includes 1 ea. part number 0062800, 1 ea. 0065706, 1 ea. 1077143  
F - After 10/30/05 and includes items 19-22  
G - Part # 1080116 is No Longer Available. Order item #9 part number 60105577 as a replacement. New design is rectangular in shape. It is recommended to order new Hardware 1077519 as well.  
H - Part #60105577 4-Way Toggle Switch is not compatible with this hardware.

Effective 07/01/2009, switches are mercury free.