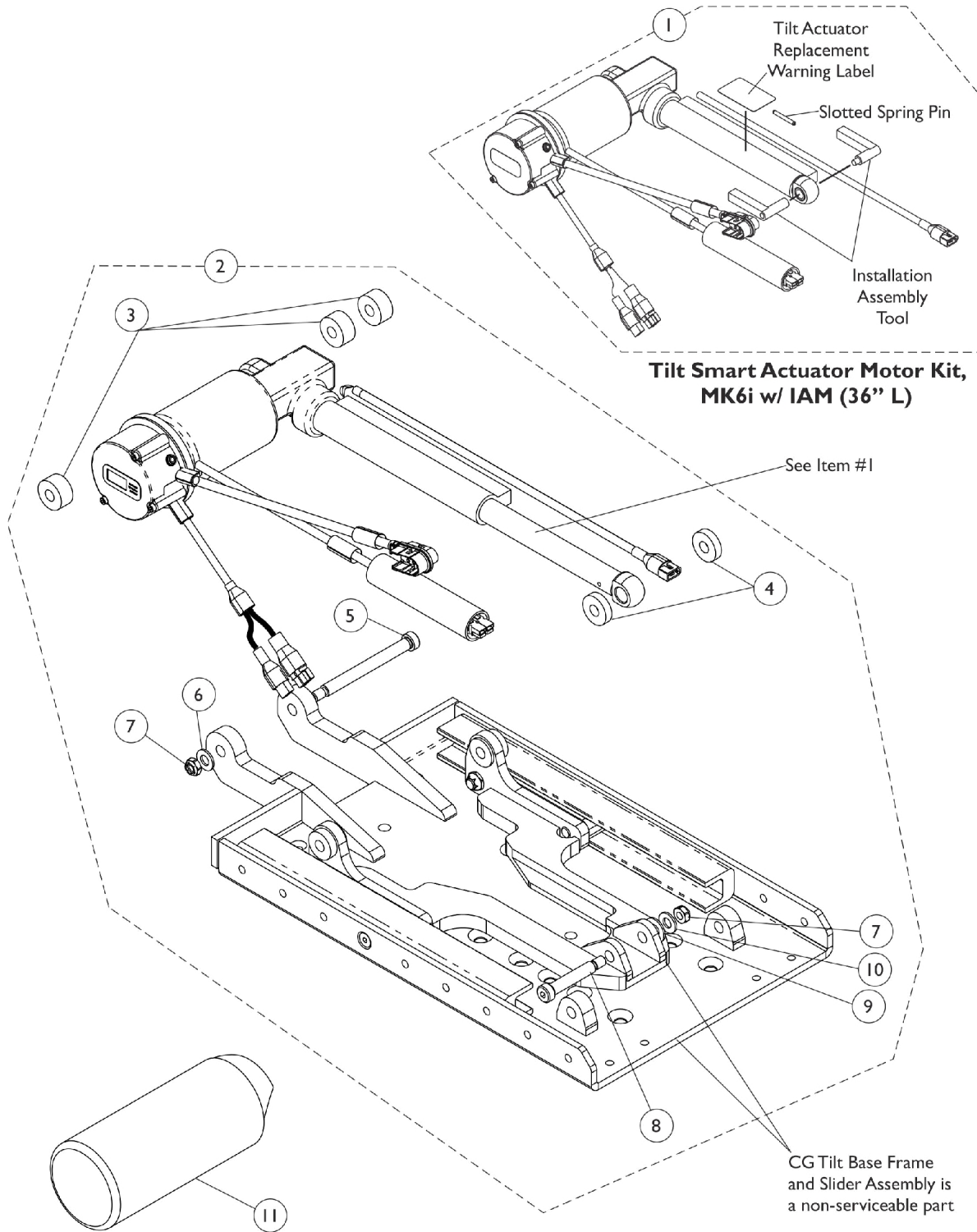


# Tilt Smart Actuator Motor and Mounting Hardware Before 4/2/13



## Tilt Smart Actuator Motor and Mounting Hardware Before 4/2/13

Item Number	Note	Part Number	Description	Quantity Per	
				Package	Assembly
1	C,E,A	1186171	Kit, Tilt Smart Actuator Motor, MK6i w/ IAM (36" L)	1	1
2	D,B	1153721	NLA - Kit, Tilt Actuator Motor Mounting Hardware	1	1
3			Spacer (3/8 x 1 x 1/2")	1	3
4			NLA - Washer, Nylon (13/32 x 1 x 1/4")	1	2
5			Screw, Shoulder Hex Socket Head (3/8" x 3-1/2", 5/16-18)	1	1
6			Washer, Steel (11/32 x 11/16 x 1/16")	1	1
7			Locknut (5/16-18)	1	2
8			Screw, Shoulder Hex Socket Head (3/8 x 1-3/4", 5/16-18)	1	1
9			Washer, Plain (1/4 x 9/16 x 1/16")	1	1
10			Washer, Flat (5/16 x 5/8 x 1/16")	1	1
11		1159388	Cover, Tilt Smart Actuator Motor	1	1
<p>NOTE: A - Includes the Tilt Smart Actuator Motor, Bushings, Installation Assembly Tool, Slotted Spring Pin, Silicon Lubricant, Warning Label, Instructions and Integrated Actuator Module (IAM) attached to the motor. Components are not sold separately.</p> <p>B - Includes items 3-10.</p> <p>C - Due to NEW Installation procedures, refer to the Tilt Actuator Replacement Instructions included with the Kit for assistance.</p> <p>D - No Longer Available. See page titled "Tilt Smart Actuator Motor and Mounting Hardware After 4/1/13". Part #1153721 was replaced with 1180313.</p> <p>E - Includes Part #1190604 Supplemental Power Wheelchair Warnings/Wear and Tear Information Owner's Manual.</p>					