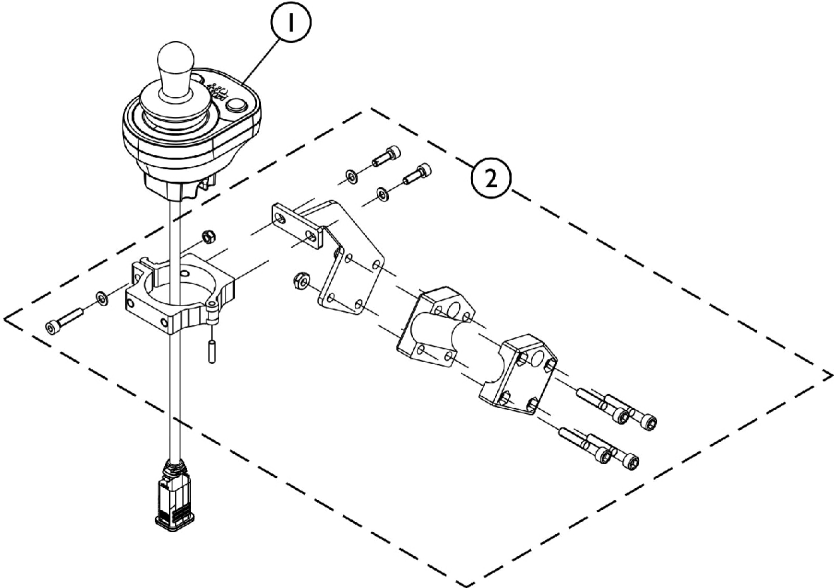
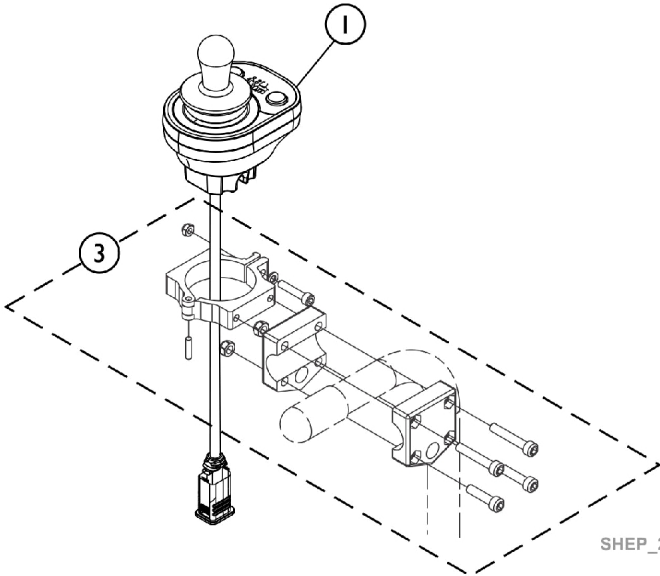


LiNX DLX-ACU200 Compact Attendant Remote



**LiNX DLX-ACU200
ULMR/ULMTR
Spreader Bar Mounting Hardware**



SHEP_220B

**LiNX DLX-ACU200
ULMT/ASBA-2
Back Cane Mounting Hardware**

LiNX DLX-ACU200 Compact Attendant Remote

Item Number	Note	Part Number	Description	Quantity Per	
				Package	Assembly
1	A	60102512	Kit, LiNX DLX-ACU200 Compact Attendant Remote	1	1
2		60102521	Kit, LiNX DLX-ACU200 Compact Attendant Remote Mounting Hardware, Recline	1	1
3		60105178	LiNX DLX-ACU200 Compact Attendant Remote Mounting Hardware, Non-Recline	1	1

NOTE: A - A bus cable is needed when connecting the Compact Attendant Remote to the wheelchair.