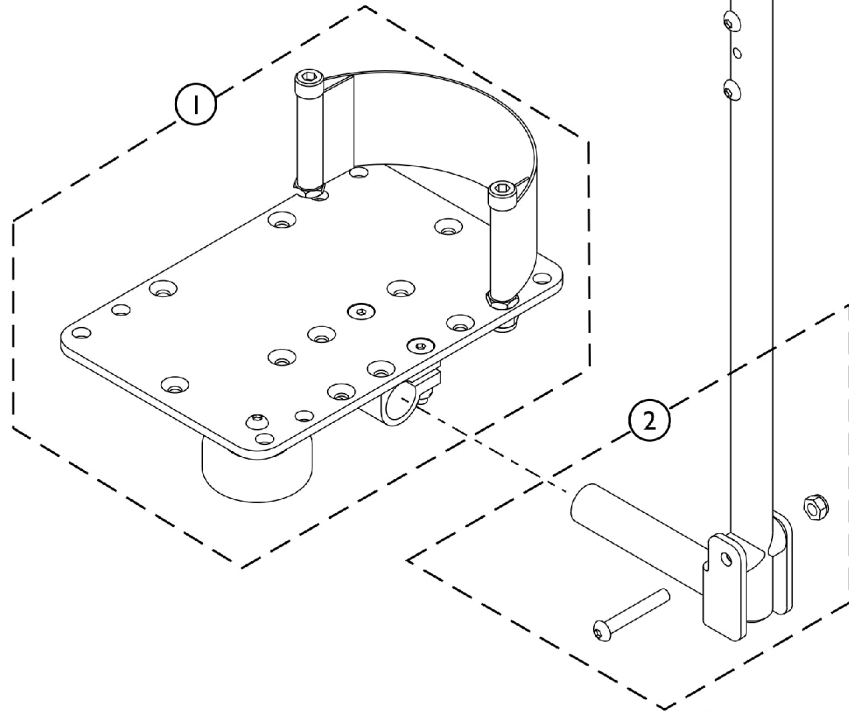
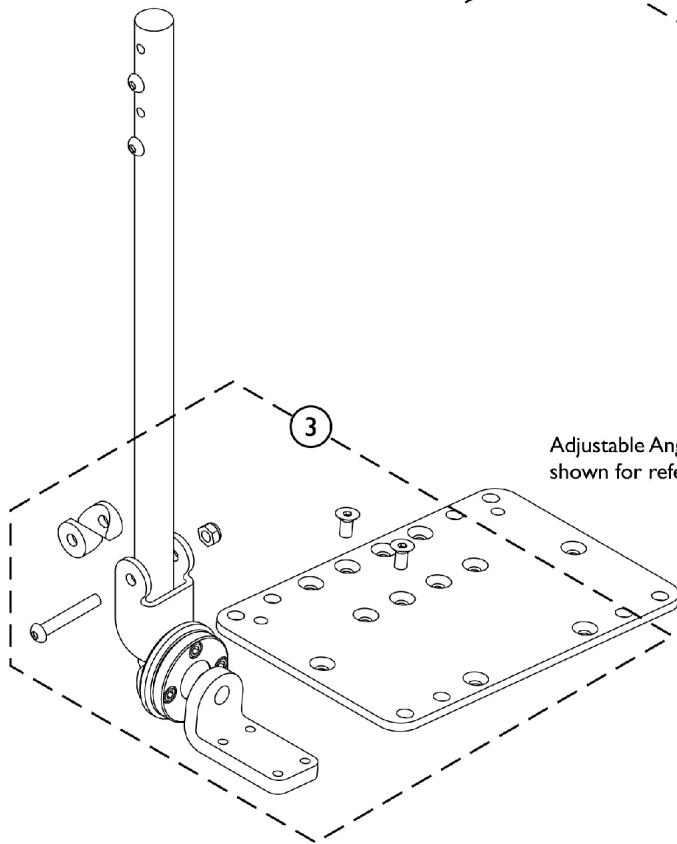


Adjustable Angle Footplate, Pivot and Multi-Axis, Independent Front Riggings

Extension Tube shown
for reference only



SHEP_236B



Adjustable Angle Footplate
shown for reference only

Adjustable Angle Footplate, Pivot and Multi-Axis, Independent Front Riggings

Item Number	Note	Part Number	Description	Quantity Per	
				Package	Assembly
1		60105170	Kit, Footplate Assembly, Heavy Duty w/ Heel Loop and Caster Wheel - Left (5-1/4" W x 8" L)	1	1
1		60105171	Kit, Footplate Assembly, Heavy Duty w/ Heel Loop and Caster Wheel - Right (5-1/4" W x 8" L)	1	1
1		60105172	Kit, Footplate Assembly, Heavy Duty w/ Heel Loop and Caster Wheel - Left (6-1/4" W x 8" L)	1	1
1		60105173	Kit, Footplate Assembly, Heavy Duty w/ Heel Loop and Caster Wheel - Right (6-1/4" W x 8" L)	1	1
2		60105174	Kit, Independent Front Rigging Pivot Mount Assembly - Right/Left (Pair)	2	1
3	A	60105175	Kit, Independent Front Rigging Multi-Axis Adjustable Angle Footplate Mount Assembly - Right/Left	1	1

NOTE: A - Item #3 can be used on the Right or Left side.