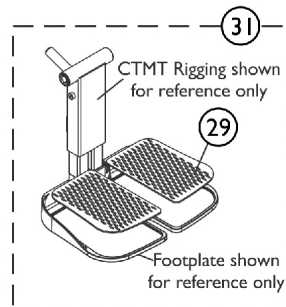
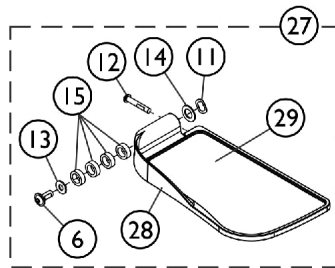
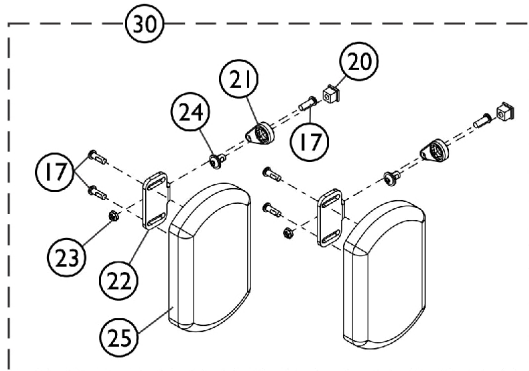
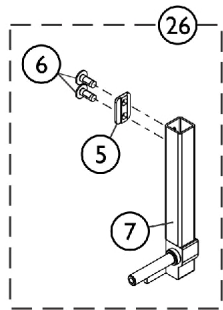
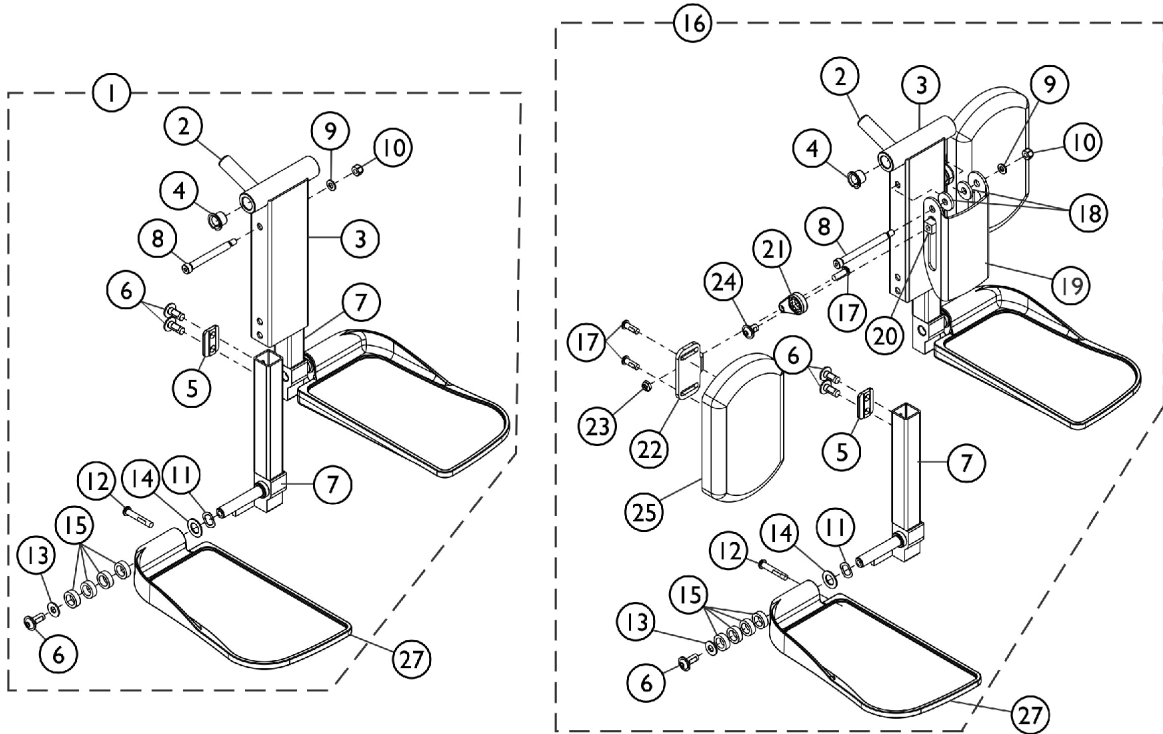


Center Mount Rigging (CTMT-FJ/CTMT-F)



Center Mount Rigging (CTMT-FJ/CTMT-F)

| Item Number | Note | Part Number | Description | Quantity Per | |
|-------------|------|-------------|--|--------------|----------|
| | | | | Package | Assembly |
| 1 | A | 60105180 | Kit, Center Mount Front Rigging, Junior (CTMTJ/CTMT-FJ) ASBA/ADJASBA (9-1/2" - 11" Range) | 1 | 1 |
| 2 | | | Rack, Center Mount Rigging Angle Adjustable | 1 | 1 |
| 3 | | | Support, Footrest, Center Mount, Black - Short | 1 | 1 |
| 4 | | | Bearing, Flange (1/2 x 13/16 x 1/2") | 1 | 2 |
| 5 | | | Cleat, Button Head | 1 | 2 |
| 6 | | | Screw, Socket, Button Head w/ Patch (5/16-18 x 3/4") | 1 | 6 |
| 7 | | | Tube, Extension, Footrest, Short, Black - Right | 1 | 1 |
| 7 | | | Tube, Extension, Footrest, Short, Black - Left | 1 | 1 |
| 8 | | | Screw, Shoulder Hex Socket Head (5/16" x 2-1/2", 1/4-20) | 1 | 1 |
| 9 | | | Washer (1/4 x 1/2 x 1/16") | 1 | 1 |
| 10 | | | Locknut (1/4-20) | 1 | 1 |
| 11 | | | NLA - Washer, Wave (17/32 x 3/4 x 1/64") | 1 | 2 |
| 12 | | | Screw, Socket Button Head (1/4-20 x 1-1/2") | 1 | 2 |
| 13 | | | Washer, Nylon (5/16 x 11/16 x 1/16") | 1 | 2 |
| 14 | | | Washer (1/2 x 7/8 x 3/64") | 1 | 2 |
| 15 | | | Spacer, Nylon (1/2 x 3/4 x 1/4") | 1 | 8 |
| 1 | A | 60105182 | Kit, Center Mount Front Rigging (CTMT) (CTMT-F), ASBA/ADJASBA (11" - 15" Range) | 1 | 1 |
| 2 | | | Rack, Center Mount Rigging Angle Adjustable | 1 | 1 |
| 3 | | | Support, Footrest, Center Mount, Black - Regular | 1 | 1 |
| 4 | | | Bearing, Flange (1/2 x 13/16 x 1/2") | 1 | 2 |
| 5 | | | Cleat, Button Head | 1 | 2 |
| 6 | | | Screw, Socket, Button Head w/ Patch (5/16-18 x 3/4") | 1 | 6 |
| 7 | | | Tube, Extension, Footrest, Medium, Black - Right | 1 | 1 |
| 7 | | | Tube, Extension, Footrest, Medium, Black - Left | 1 | 1 |
| 8 | | | Screw, Shoulder Hex Socket Head (5/16" x 2-1/2", 1/4-20) | 1 | 1 |
| 9 | | | Washer (1/4 x 1/2 x 1/16") | 1 | 1 |
| 10 | | | Locknut (1/4-20) | 1 | 1 |
| 11 | | | NLA - Washer, Wave (17/32 x 3/4 x 1/64") | 1 | 2 |
| 12 | | | Screw, Socket Button Head (1/4-20 x 1-1/2") | 1 | 2 |
| 13 | | | Washer, Nylon (5/16 x 11/16 x 1/16") | 1 | 2 |
| 14 | | | Washer (1/2 x 7/8 x 3/64") | 1 | 2 |
| 15 | | | Spacer, Nylon (1/2 x 3/4 x 1/4") | 1 | 8 |
| 16 | B | 60105181 | Kit, Center Mount Front Rigging w/Calf Pad - Short (CTMTJ/CTMT-FJ) ASBA/ADJASBA (9-1/2" - 11" Range) | 1 | 1 |
| 2 | | | Rack, Center Mount Rigging Angle Adjustable | 1 | 1 |
| 3 | | | Support, Footrest, Center Mount, Black - Short | 1 | 1 |
| 4 | | | Bearing, Flange (1/2 x 13/16 x 1/2") | 1 | 2 |
| 5 | | | Cleat, Button Head | 1 | 2 |
| 6 | | | Screw, Socket, Button Head w/ Patch (5/16-18 x 3/4") | 1 | 6 |
| 7 | | | Tube, Extension, Footrest, Short, Black - Right | 1 | 1 |

Center Mount Rigging (CTMT-FJ/CTMT-F)

| Item Number | Note | Part Number | Description | Quantity Per | |
|-------------|------|-------------|---|--------------|----------|
| | | | | Package | Assembly |
| 7 | | | Tube, Extension, Footrest, Short, Black - Left | 1 | 1 |
| 8 | | | Screw, Shoulder Hex Socket Head (5/16" x 3", 1/4-20) | 1 | 1 |
| 9 | | | Washer (1/4 x 1/2 x 1/16") | 1 | 1 |
| 10 | | | Locknut (1/4-20) | 1 | 1 |
| 11 | | | NLA - Washer, Wave (17/32 x 3/4 x 1/64") | 1 | 2 |
| 12 | | | Screw, Socket Button Head (1/4-20 x 1-1/2") | 1 | 2 |
| 13 | | | Washer, Nylon (5/16 x 11/16 x 1/16") | 1 | 2 |
| 14 | | | Washer (1/2 x 7/8 x 3/64") | 1 | 2 |
| 15 | | | Spacer, Nylon (1/2 x 3/4 x 1/4") | 1 | 8 |
| 17 | | | Screw, Socket Button Head w/ Patch (1/4-20 x 3/4") | 1 | 6 |
| 18 | | | Washer, Nylon (5/16 x 7/8 x 1/8") | 1 | 2 |
| 19 | | | Bracket, Calf Pad, Black | 1 | 1 |
| 20 | | | Nut, T (5/16-18) | 1 | 2 |
| 21 | | | Adjuster, Calf Pad | 1 | 2 |
| 22 | | | Bracket, Mounting, Calf Pad | 1 | 2 |
| 23 | | | NLA - Locknut (1/4-20) | 1 | 2 |
| 24 | | | Screw, Socket, Button Head w/ Patch (5/16-18 x 1/2") | 1 | 2 |
| 25 | | | Pad, Calf (4-1/2" W x 7-1/4" L) | 1 | 2 |
| 16 | B | 60105183 | Kit, Center Mount Front Rigging w/Calf Pad - Medium (CTMT) (CTMT-F), ASBA/ADJASBA (11" - 15" Range) | 1 | 1 |
| 2 | | | Rack, Center Mount Rigging Angle Adjustable | 1 | 1 |
| 3 | | | Support, Footrest, Center Mount, Black - Regular | 1 | 1 |
| 4 | | | Bearing, Flange (1/2 x 13/16 x 1/2") | 1 | 2 |
| 5 | | | Cleat, Button Head | 1 | 2 |
| 6 | | | Screw, Socket, Button Head w/ Patch (5/16-18 x 3/4") | 1 | 6 |
| 7 | | | Tube, Extension, Footrest, Medium, Black - Right | 1 | 1 |
| 7 | | | Tube, Extension, Footrest, Medium, Black - Left | 1 | 1 |
| 8 | | | Screw, Shoulder Hex Socket Head (5/16" x 3", 1/4-20) | 1 | 1 |
| 9 | | | Washer (1/4 x 1/2 x 1/16") | 1 | 1 |
| 10 | | | Locknut (1/4-20) | 1 | 1 |
| 11 | | | NLA - Washer, Wave (17/32 x 3/4 x 1/64") | 1 | 2 |
| 12 | | | Screw, Socket Button Head (1/4-20 x 1-1/2") | 1 | 2 |
| 13 | | | Washer, Nylon (5/16 x 11/16 x 1/16") | 1 | 2 |
| 14 | | | Washer (1/2 x 7/8 x 3/64") | 1 | 2 |
| 15 | | | Spacer, Nylon (1/2 x 3/4 x 1/4") | 1 | 8 |
| 17 | | | Screw, Socket Button Head w/ Patch (1/4-20 x 3/4") | 1 | 6 |
| 18 | | | Washer, Nylon (5/16 x 7/8 x 1/8") | 1 | 2 |
| 19 | | | Bracket, Calf Pad, Black | 1 | 1 |
| 20 | | | Nut, T (5/16-18) | 1 | 2 |
| 21 | | | Adjuster, Calf Pad | 1 | 2 |
| 22 | | | Bracket, Mounting, Calf Pad | 1 | 2 |
| 23 | | | NLA - Locknut (1/4-20) | 1 | 2 |

Center Mount Rigging (CTMT-FJ/CTMT-F)

| Item Number | Note | Part Number | Description | Quantity Per | |
|-------------|------|-------------|--|--------------|----------|
| | | | | Package | Assembly |
| 24 | | | Screw, Socket, Button Head w/ Patch (5/16-18 x 1/2") | 1 | 2 |
| 25 | | | Pad, Calf (4-1/2" W x 7-1/4" L) | 1 | 2 |
| 26 | | See Chart | #26 Extension Tube Kits | 1 | 1 |
| 27 | | See Chart | #27 Footplate Kits | 1 | 1 |
| 30 | C | 60102816 | Kit, Calf Pad and Adjusting Hardware (Pair) | 1 | 1 |
| 17 | | | Screw, Socket Button Head w/ Patch (1/4-20 x 3/4") | 1 | 2 |
| 20 | | | Nut, T (5/16-18) | 1 | 2 |
| 21 | | | Adjuster, Calf Pad | 1 | 2 |
| 22 | | | Bracket, Mounting, Calf Pad | 1 | 2 |
| 23 | | | NLA - Locknut (1/4-20) | 1 | 2 |
| 24 | | | Screw, Socket, Button Head w/ Patch (5/16-18 x 1/2") | 1 | 2 |
| 25 | | | Pad, Calf (4-1/2" W x 7-1/4" L) | 1 | 2 |
| 31 | D | 1163374 | Kit, Footrest Pad - Small (Pair) | 1 | 1 |
| 29 | | | Pad, Footplate, Small - Right | 1 | 1 |
| 29 | | | Pad, Footplate, Small - Left | 1 | 1 |
| 31 | D | 1163375 | Kit, Footrest Pad - Medium (Pair) | 1 | 1 |
| 29 | | | Pad, Footplate, Medium - Right | 1 | 1 |
| 29 | | | Pad, Footplate, Medium - Left | 1 | 1 |
| 31 | D | 1163376 | Kit, Footrest Pad - Large (Pair) | 1 | 1 |
| 29 | | | Pad, Footplate, Large - Right | 1 | 1 |
| 29 | | | Pad, Footplate, Large - Left | 1 | 1 |
| | E | 1165505 | Kit, Hardware, Calf Pad Adjustment | 1 | 1 |
| 17 | | | Screw, Socket Button Head w/ Patch (1/4-20 x 3/4") | 1 | 2 |
| 20 | | | Nut, T (5/16-18) | 1 | 2 |
| 21 | | | Adjuster, Calf Pad | 1 | 2 |
| 22 | | | Bracket, Mounting, Calf Pad | 1 | 2 |
| 23 | | | NLA - Locknut (1/4-20) | 1 | 2 |
| 24 | | | Screw, Socket, Button Head w/ Patch (5/16-18 x 1/2") | 1 | 2 |
| | F | 60102817 | Kit, Bracket, Calf Pad Mounting w/ Hardware | 1 | 1 |
| 8 | | | Screw, Shoulder Hex Socket Head (5/16" x 3", 1/4-20) | 1 | 1 |
| 9 | | | Washer (1/4 x 1/2 x 1/16") | 1 | 1 |
| 10 | | | Locknut (1/4-20) | 1 | 1 |
| 18 | | | Washer, Nylon (5/16 x 7/8 x 1/8") | 1 | 2 |
| 19 | | | Bracket, Calf Pad, Black | 1 | 1 |

NOTE: A - Includes items 2-15.
 B - Includes items 2-15 and 17-25.
 C - Includes items 17, 20-25.
 D - Includes a pair of item 29.
 E - Not shown. Includes items 17 and 20-24.
 F - Not shown. Includes items 8-10, 18 and 19. Currently not available.

CTMT Rigging 12-1/4"-15" STF range does not work for 16" Deep on models ULMT, ULMTR and ULMR.

#26 Extension Tube Kits

Center Mount Rigging (CTMT-FJ/CTMT-F)

#26 Extension Tube Kits

| Front Rigging Side | Short 9-1/4" - 12" Range | Medium 12-1/4" - 15" Range |
|--------------------|-----------------------------|-------------------------------|
| Right | 1170677 See Note(s) A | 1170679 See Note(s) A |
| Left | 1170678 See Note(s) A | 1170680 See Note(s) A |

NOTE: A - Includes items 5-7. The Extension Tube Kits are used for adjustable width footplate hardware.

#27 Footplate Kits

| Footplate Side | Small 5-1/4" W x 7-1/2" L | Medium 5-1/2" W x 9-1/2" L | Large 5-7/8" W x 11-1/2" L |
|----------------|------------------------------|-------------------------------|-------------------------------|
| Right | 1170683 See Note(s) A | 1170685 See Note(s) A | 1170687 See Note(s) A |
| Left | 1170684 See Note(s) A | 1170686 See Note(s) A | 1170688 See Note(s) A |

NOTE: A - Includes items 10-18 and the Adjustable Width Footplate Instruction Sheet (Not Shown). The footplate mounting hardware included is for adjustable width.