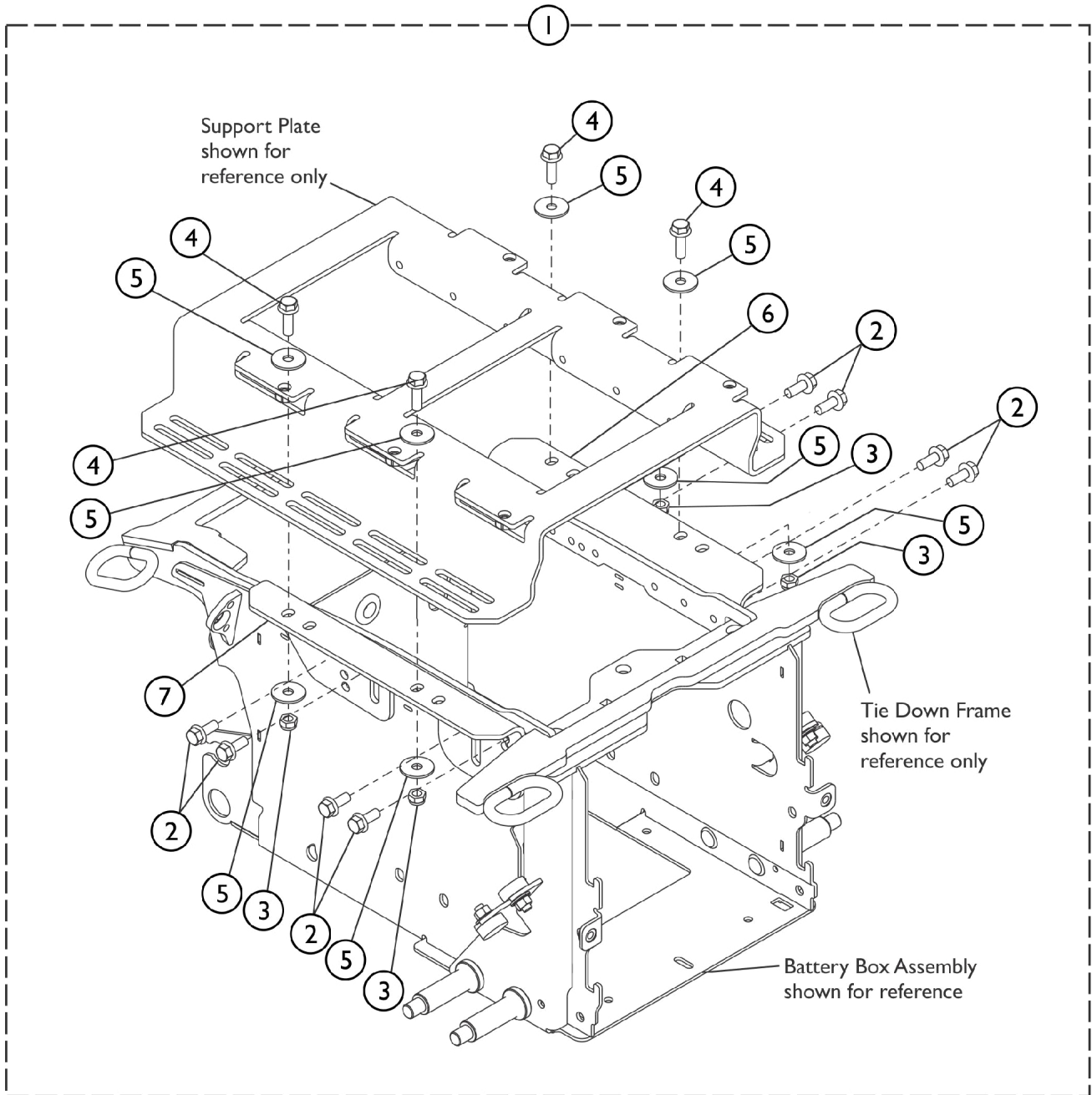


Ultra Low Maxx - S-T-F Interface Brackets (ULMR/ ASBA-2)



Ultra Low Maxx - S-T-F Interface Brackets (ULMR/ ASBA-2)

Item Number	Note	Part Number	Description	Quantity Per	
				Package	Assembly
1	A	60102627	Kit, Base Mounting Bracket Assembly, w/ TRBKTS (17-1/4", 18-1/4" STF)	1	1
1	A	60102629	Kit, Base Mounting Bracket Assembly, w/ TRBKTS (19-1/4", 20-1/4" STF)	1	1

NOTE: A - Includes items 2-7.