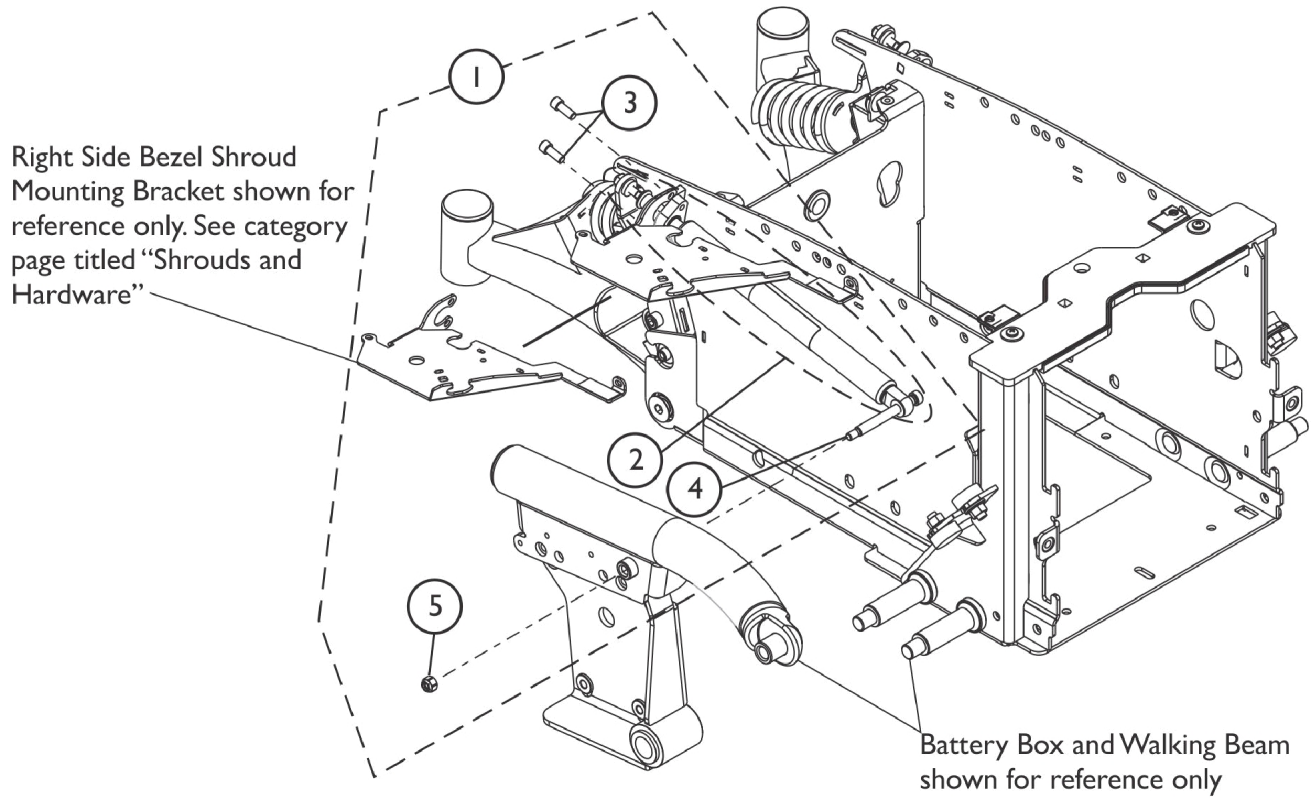


Locking Gas Cylinders



SHEP_026A

Locking Gas Cylinders

Item Number	Note	Part Number	Description	Quantity Per	
				Package	Assembly
1	A	60102821	Kit, Cylinder, Locking Gas w/ Mounting Hardware	1	1
2			Cylinder, Locking Gas	1	1
3			NLA - Screw, Socket Head w/ Patch (1/4-20 x 3/4")	1	4
4			Screw, Shoulder Hex Socket Head (5/16" x 2-1/2", 1/4-20)	1	2
5			Locknut (1/4-20)	1	2
1	B	60104713	Kit, Cylinder, Locking Gas w/ Mounting Hardware	1	1
2			Cylinder, Locking Gas	1	1
3			NLA - Screw, Socket Head w/ Patch (1/4-20 x 3/4")	1	4
4			Screw, Shoulder Hex Socket Head (5/16" x 2-1/2", 1/4-20)	1	2
5			Locknut (1/4-20)	1	2
NOTE: A - Includes items 2-5. Used for 300lb. Limit B - Includes items 2-5. Used for 400lb. Limit					