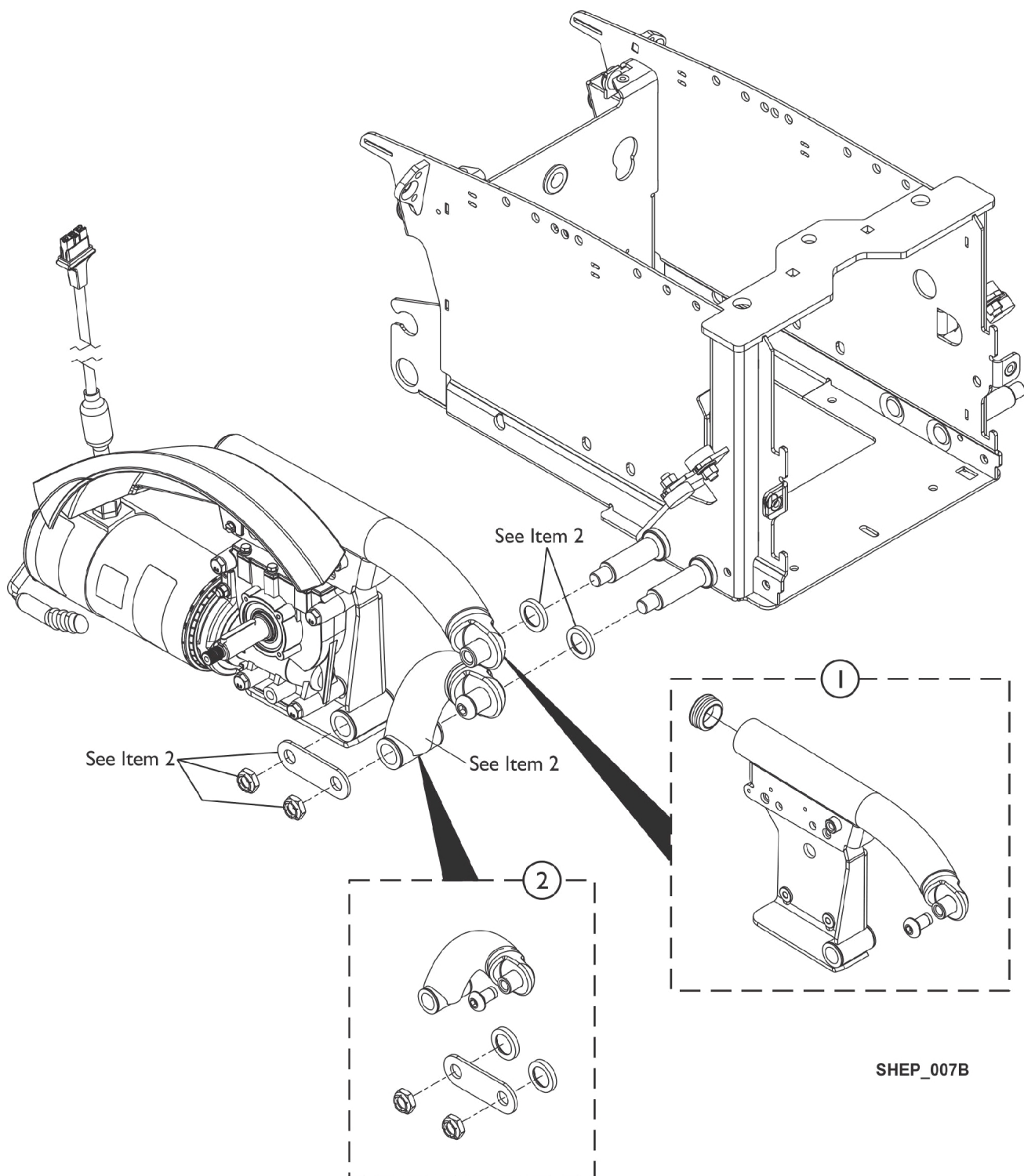


Walking Beam, Lower Pivot Link and Mounting Hardware



SHEP_007B

Walking Beam, Lower Pivot Link and Mounting Hardware

| Item Number | Note | Part Number | Description | Quantity Per | |
|-------------|------|-------------|---|--------------|----------|
| | | | | Package | Assembly |
| 1 | | 60102580 | Kit, Walking Beam Assembly, Black, SSD - Right | 1 | 1 |
| 1 | | 60102581 | Kit, Walking Beam Assembly, Black, SSD - Left | 1 | 1 |
| 1 | B | 60108355 | Kit, Walking Beam Assembly, Black, SSD, 450 Lb. Wgt. Limit - Right | 1 | 1 |
| 1 | B | 60108356 | Kit, Walking Beam Assembly, Black, SSD, 450 Lb. Wgt. Limit - Left | 1 | 1 |
| 2 | A | 60102819 | Kit, Link Assembly w/ Mounting Hardware, Lower Pivot, Black - Right | 1 | 1 |
| 2 | A | 60102820 | Kit, Link Assembly w/ Mounting Hardware, Lower Pivot, Black - Left | 1 | 1 |

NOTE: A - Lower Pivot Link includes 2 ea. press fitted plastic Flange Bearing (not shown). The Flange Bearings are not sold separately.
 B - Used only for Motion Concepts using the TDX SP2-HD Base Assembly