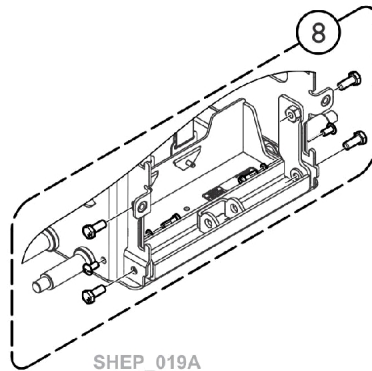
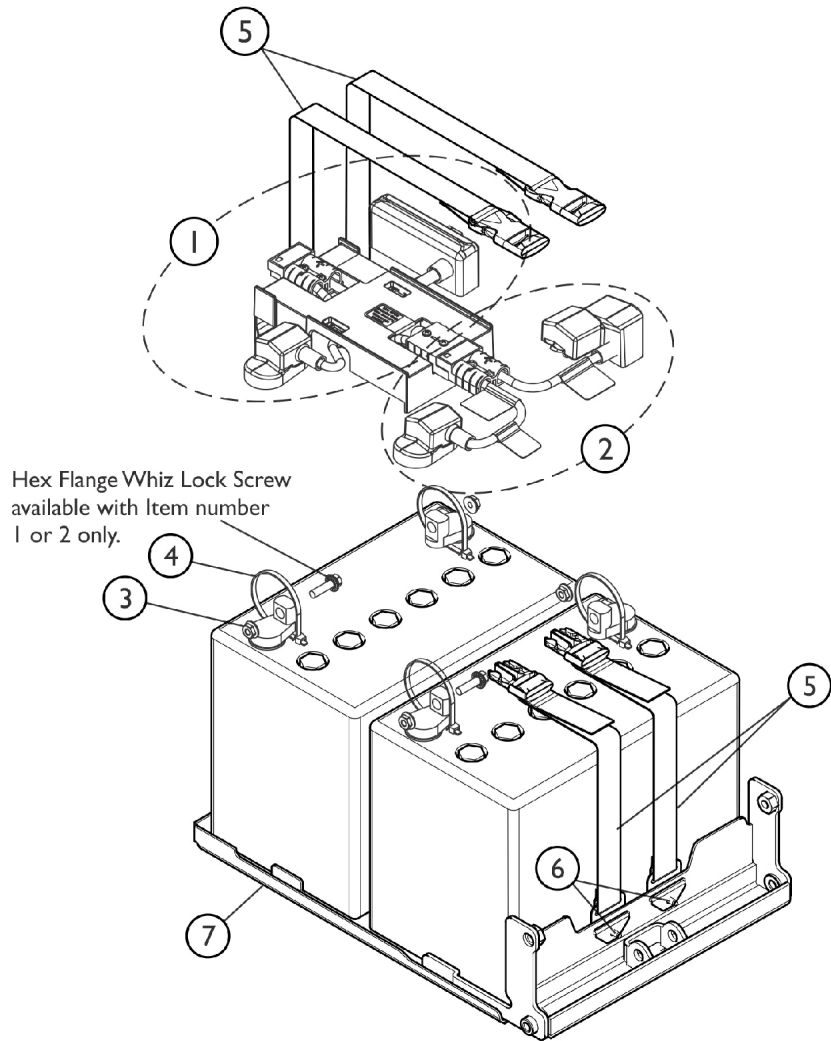


# Battery Tray Assembly and Wire Harnesses Before 03/04/20 GP24 Batteries



SHEP\_019A

## Battery Tray Assembly and Wire Harnesses Before 03/04/20 GP24 Batteries

Item Number	Note	Part Number	Description	Quantity Per	
				Package	Assembly
1	A,B	60102802	Kit, Harness, Battery Wire with Terminal Hardware, GP24, Rear	1	1
2	A,B	60102803	Kit, Harness, Battery Wire with Terminal Hardware, GP24, Front	1	1
3		16721X000	Locknut (1/4-20)	1	4
4		98007X005	Tie Wrap (11-1/2" L)	1	4
5		60102801	Kit, Battery Strap Assembly, GP24/3-22NF	1	2
6		16348X000-NLA	NLA - Rivet (3/16 x 7/16")	1	4
7		60105179	Kit, Battery Tray Assembly, GP24	1	1
8		60105184	Kit, Battery Tray Stop Hardware	1	1

NOTE: A - Individual components are not available for the battery wire harnesses  
B - Includes items 3, 4 and 2 ea. Screw, Hex Flange Whiz Lock (1/4-20 x 7/8")

NOTE: ALL Power Wheelchairs with 5FAA or 10FAA Fixed Anterior Assist Option did not change and continue to use Before 03/04/20 components.