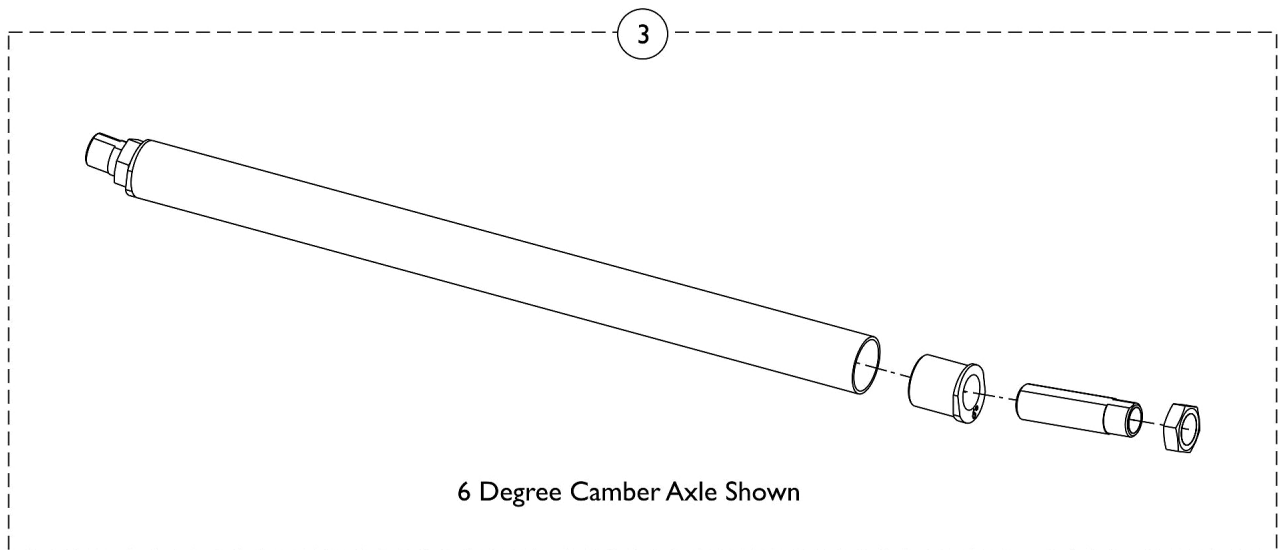
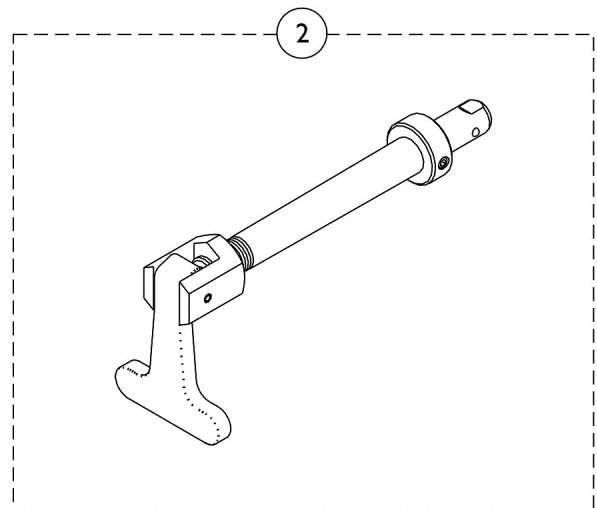
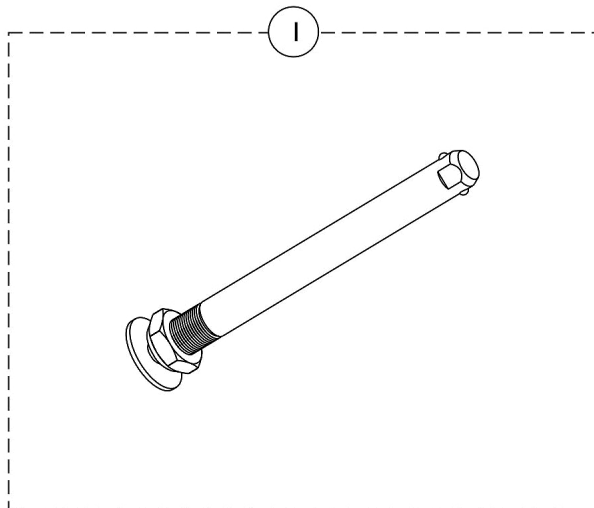


Axles & Camber System

Special Quote Number for Item 3 is SM-090608125056

When entering an order for item 3, the following items should be included with the Special Quote Number, the Serial Number, Rear Wheel Selected, the Camber Angle, and the Chair Width.



Axles & Camber System

Special Quote Number for Item 3 is SM-090608125056

When entering an order for item 3, the following items should be included with the Special Quote Number, the Serial Number, Rear Wheel Selected, the Camber Angle, and the Chair Width.

Special Quote Number for Item 3 is SM-090608125056

Item Number	Note	Part Number	Description	Quantity Per	
				Package	Assembly
1		1065303	Axle, Quick Release w/ Flat Button, Black	1	1
1		1113049	Axle, Quick Release w/ Dome Button, Black	1	1
1		1060842-NLA	NLA - Axle, Titanium	1	1
2		1043487-NLA	NLA - Axle, Quad Release	1	1
3	A,B	8881169807-NL A	NLA - Camber Tube Assembly, Color, 0 Degree	1	1
3	A,B	8881169808-NL A	NLA - Camber Tube Assembly, Color, 3 Degree	1	1

NOTE: A - Specify frame color when ordering, see category titled, "Frame Finishes & Touch-Up Paint".
 B - When entering an order for item 3, the following items should be included with the Special Quote Number (SM-090608125056), the Serial Number, Rear Wheel Selected, the Camber Angle, and the Chair Width.

When entering an order for item 3, the following items should be included with the Special Quote Number (SM-090608125056), the Serial Number, Rear Wheel Selected, the Camber Angle, and the Chair Width.