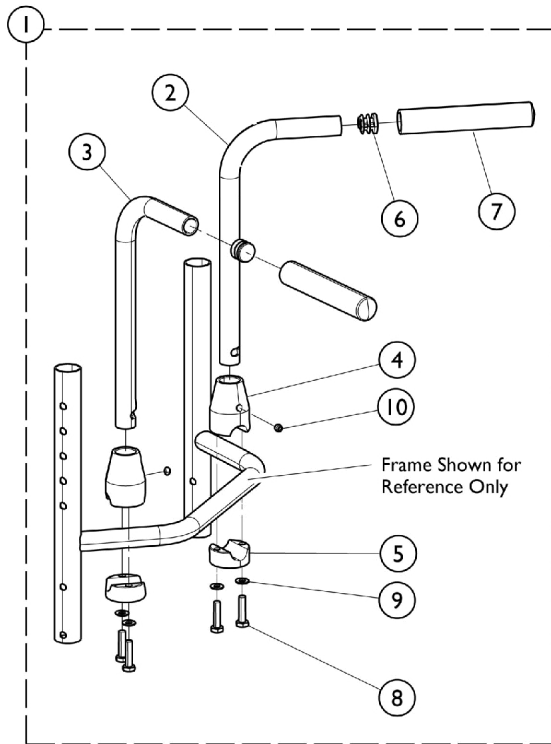
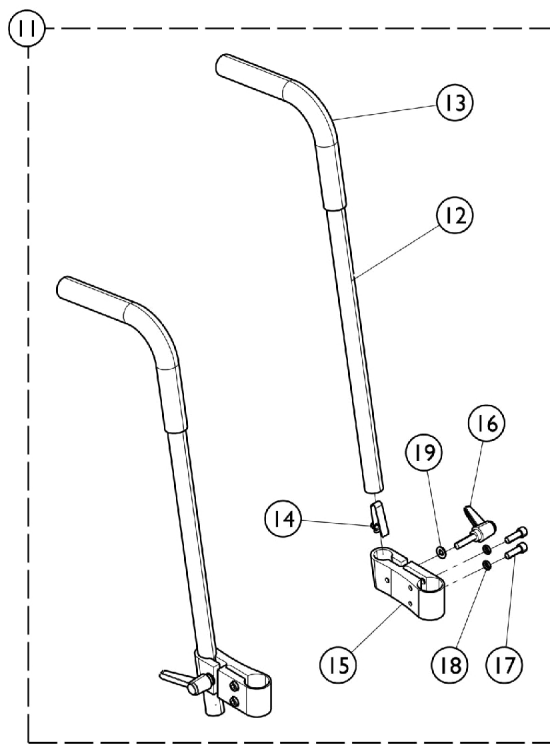


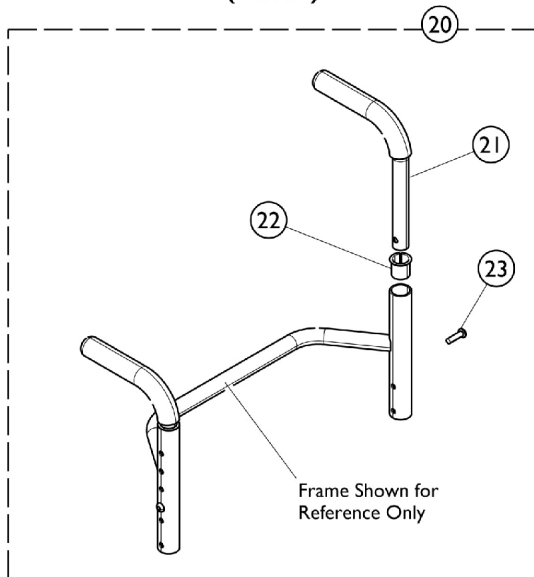
Back Canes w/ Push Handle Assemblies



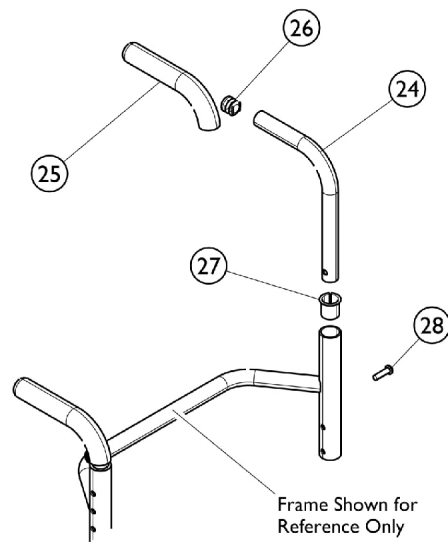
**Bolt-On Non-Adjustable Height
(CRF13)**



**Bolt-On Adjustable Height
(CRF82)**



**Bolt Through Integral
(CRF97)**



**Bolt Thru Integral (CRF97)
(Chairs built before 6/4/2012)**

Back Canes w/ Push Handle Assemblies

Item Number	Note	Part Number	Description	Quantity Per	
				Package	Assembly
1	A	1032213-NLA	NLA - Push Handle Assembly w/ Hardware, Bolt On (Pair)	2	1
2		1032210-NLA	NLA - Handle, Push, Black - Left	1	1
3		1032209-NLA	NLA - Handle, Push, Black - Right	1	1
4		1032211-NLA	NLA - Clamp, Threaded, Top	1	2
5		1032212-NLA	NLA - Clamp, Non-Threaded, Bottom	1	2
6		1027097	Plug Button, Black (3/4")	1	2
7		1028431-NLA	NLA - Grip, Foam, Black (5")	1	2
8		1025713-NLA	NLA - Screw, Hex Head (1/4-20 x 1")	1	4
9		1026907	Washer (1/4 x 1/2 x 1/16")	1	4
10		1032217-NLA	NLA - Screw, Set Flat Point (1/4-20 x 1")	1	2
11	B	1116587-NLA	NLA - Kit, Push Handle Assembly w/ Hardware, Adjustable Height (Pair)	1	1
12			Tube, Push Handle	1	2
13			Grip, Foam (8")	1	2
14			Spring, Torsion w/ Button	1	2
15			NLA - Clamp, Push Handle - Right	1	1
15			Clamp, Push Handle - Left	1	1
16			Lever	1	2
17			NLA - Screw, Socket Head (1/4-20 X 3/4")	1	4
18			NLA - Lockwasher, High Collar, Split (1/4")	1	4
19			Washer (1/4 x 1/2 x 1/16")	1	2
20	C,D	1163659-NLA	NLA - Kit, Push Handle Assembly w/ Hardware, Integral (Pair) (8-11" H)	1	1
21			Back Cane Assembly, Integral	1	2
22			Bushing, Pivot	1	2
23			Screw, Socket Button Head (1/4-20 x 7/8")	1	2
			Package, Screw with Washer (#10 x 7/8") (Pair)	2	1
20	C,E	1145663-NLA	NLA - Kit, Push Handle Assembly w/ Hardware, Integral (Pair)	1	1
21			Push Handle Assembly, Integral	1	2
22			Bushing, Pivot	1	2
23			Screw, Socket Button Head (1/4-20 x 7/8")	1	2
			Package, Screw with Washer (#10 x 7/8") (Pair)	2	1
24	F	1050072-NLA	NLA - Back Cane w/ Push Handle, Straight (10-14" H)	1	2
24	G	1050073-NLA	NLA - Back Cane w/ Push Handle, Straight (12-16" H)	1	2
24	H	1088491-NLA	NLA - Back Cane w/ Push Handle, Straight (14-18" H)	1	2
24	I	1040785-NLA	NLA - Back Cane w/ Push Handle, Straight (16-20" H)	1	2
25	J	1006229	Grip, Foam (8")	1	2
26	J	1027097	Plug Button, Black (3/4")	1	2
27	J	1140378	Spacer, Flanged, Black	1	2
28	J	1154988	Screw, Socket Button Head (1/4-20 x 7/8")	1	2

Back Canes w/ Push Handle Assemblies

NOTE: A - Includes items 2 - 10.
B - Includes items 12 - 19.
C - Includes items 21 - 23. Package, Screw w/ Washer is not shown.
D - Kit covers 8-11" back heights
E - Kit covers 10-14", 12-16", 14-18" and 16-20" back heights. Use as the replacement part for all chairs manufactured before 6/4/2012.
F - For use with 10-14" Back Heights. Use to replace parts for chairs manufactured before 6/4/2012.
G - For use with 12-16" Back Heights. Use to replace parts for chairs manufactured before 6/4/2012.
H - For use with 14-18" Back Heights. Use to replace parts for chairs manufactured before 6/4/2012.
I - For use with 16-20" Back Heights. Use to replace parts for chairs manufactured before 6/4/2012.
J - Use to replace parts for chairs manufactured before 6/4/2012.