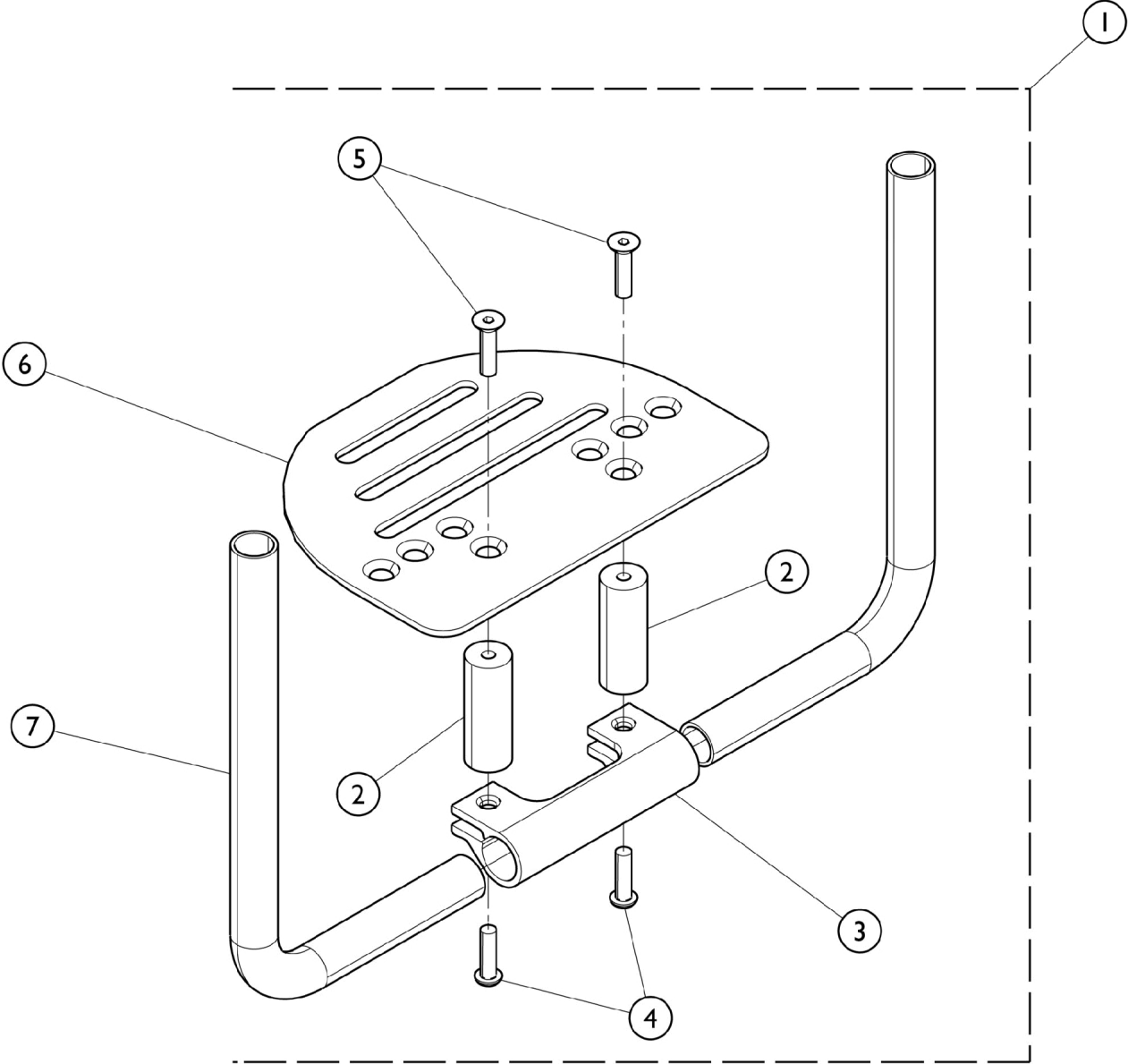


Front Riggings - Footrest and Hardware (CRF191)



Front Riggings - Footrest and Hardware (CRF191)

Item Number	Note	Part Number	Description	Quantity Per	
				Package	Assembly
1	A	1170248-NLA	NLA - Kit, Hardware, Footplate, 2" Spacer Riser	1	1
2			Spacer (16/64 x 3/4 x 2")	1	2
3			Clamp, Footrest	1	1
4			NLA - Screw, Button Head Cap (1/4-28 x 7/8")	1	2
5			Screw, Socket, Flat Head (1/4-28 x 1")	1	2
6	B	1143290-NLA	NLA - Footplate (6-1/2" W)	1	1
6	C	1143291-NLA	NLA - Footplate (7-1/2" W)	1	1
6	D	1143292-NLA	NLA - Footplate (8-1/2" W)	1	1
6	E	1143286-NLA	NLA - Footplate (10-1/2" W)	1	1
7		1143283	Tube, Support, Footrest, Tapered, Black	1	2
7		1143282-NLA	NLA - Tube, Support, Footrest, V Front, Black	1	2
NOTE: A - Includes items 2, 3, 4, and 5. B - For use on chairs 12 - 13" Wide. C - For use on chairs 14 - 15" Wide. D - For use on chairs 16 - 17" Wide. E - For use on chairs 18 - 19" Wide.					