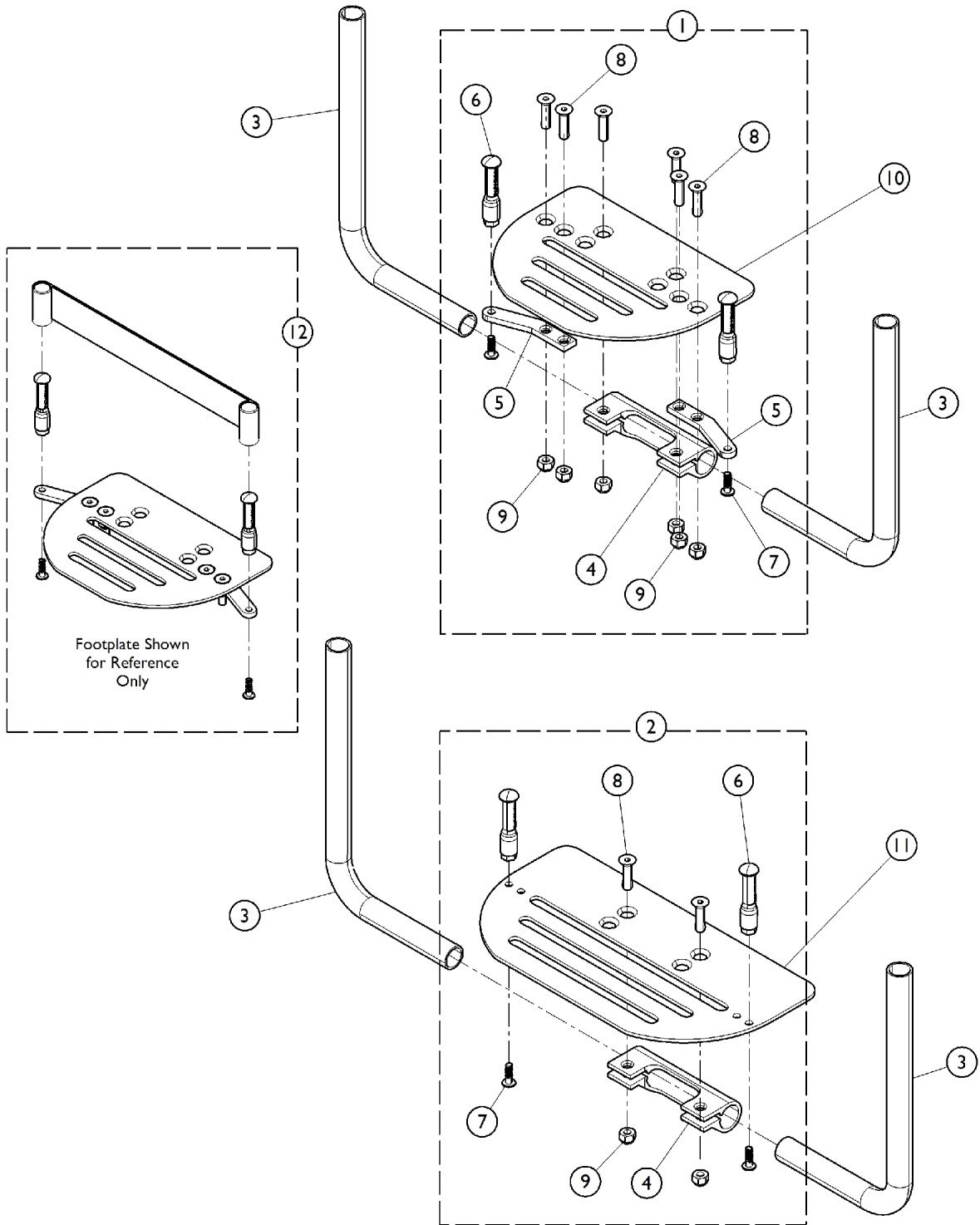


Footrest and Hardware (CRF1FP)

To order replacement parts for the Foot Positioning Kit (FTCTL), order Part Number 5321579 and Items 1, 2, 3, 10, and 11 based on the correct chair size. Order 5321579 to replace the heel loops only.



Footrest and Hardware (CRF1FP)

To order replacement parts for the Foot Positioning Kit (FTCTL), order Part Number 5321579 and Items 1, 2, 3, 10, and 11 based on the correct chair size. Order 5321579 to replace the heel loops only.

| Item Number | Note | Part Number | Description | Quantity Per | | | |
|-------------|-------------------------------------------|-------------|--------------------------------------------|--------------|--------------------------------------------|---|---|
| | | | | Package | Assembly | | |
| 1 | A,C | 1179070 | Hardware, Footplate w/ Foot Control, Small | 1 | 1 | | |
| 4 | | | Clamp, Footrest | 1 | 1 | | |
| 5 | | | NLA - Bracket, Heel Peg | 1 | 2 | | |
| 6 | | | Peg, Heel Strap | 1 | 2 | | |
| 7 | | | Screw, Phillips, Delta Point (K45 x 16mm) | 1 | 2 | | |
| 8 | | | Screw, Socket, Flat Head (1/4-28 x 1") | 1 | 6 | | |
| 9 | | | Locknut (1/4-28) | 1 | 6 | | |
| 2 | | | B,D | 1179069 | Hardware, Footplate w/ Foot Control, Large | 1 | 1 |
| 4 | | | | | Clamp, Footrest | 1 | 1 |
| 6 | Peg, Heel Strap | 1 | | | 2 | | |
| 7 | Screw, Phillips, Delta Point (K45 x 16mm) | 1 | | | 2 | | |
| 8 | Screw, Socket, Flat Head (1/4-28 x 1") | 1 | | | 2 | | |
| 9 | Locknut (1/4-28) | 1 | | | 2 | | |
| 3 | | See Chart | Item #3 Adjustable Footrest Tube | 1 | 1 | | |
| 10 | C | See Chart | Items #10 and #11 Footplates | 1 | 1 | | |
| 11 | D | See Chart | Items #10 and #11 Footplates | 1 | 1 | | |
| 12 | E | 5321579 | Heel Loop w/ Hardware (Pair) | 2 | 1 | | |

NOTE: A - Includes items 4 - 9.
 B - Includes items 4 and 6 - 9.
 C - For use with chairs 12 - 17" W.
 D - For use with chairs 18 - 20" W.
 E - Includes (4) Heel Strap Pegs, (4) Screws, and (2) Heel Loops.

Item #3 Adjustable Footrest Tube

| Chair Width | Part Number | Used w/ Hardware Kit |
|-------------|-------------|----------------------|
| 12" W | 1178780 | 1179070 |
| 13" W | 1178781 | 1179070 |
| 14" W | 1178782 | 1179070 |
| 15" W | 1178783 | 1179070 |
| 16" W | 1178784 | 1179070 |
| 17" W | 1178785 | 1179070 |
| 18" W | 1178786 | 1179069 |
| 19" W | 1178787 | 1179069 |
| 20" W | 1178788 | 1179069 |

Items #10 and #11 Footplates

| Chair Width | Part Number | Item Number | Use w/ Hardware Kit |
|-------------|-------------|-------------|---------------------|
| 12 - 13" W | 1143290-NLA | 10 | 1179070 |
| 14 - 15" W | 1143291-NLA | 10 | 1179070 |
| 16" W | 1143292-NLA | 10 | 1179070 |

Footrest and Hardware (CRF1FP)

To order replacement parts for the Foot Positioning Kit (FTCTL), order Part Number 5321579 and Items 1, 2, 3, 10, and 11 based on the correct chair size. Order 5321579 to replace the heel loops only.

Items #10 and #11 Footplates

| Chair Width | Part Number | Item Number | Use w/ Hardware Kit |
|-------------|-------------|-------------|---------------------|
| 17" W | 1143293 | 10 | 1179070 |
| 18" W | 1143286-NLA | 11 | 1179069 |
| 19" W | 1179067 | 11 | 1179069 |
| 20" W | 1179068 | 11 | 1179069 |