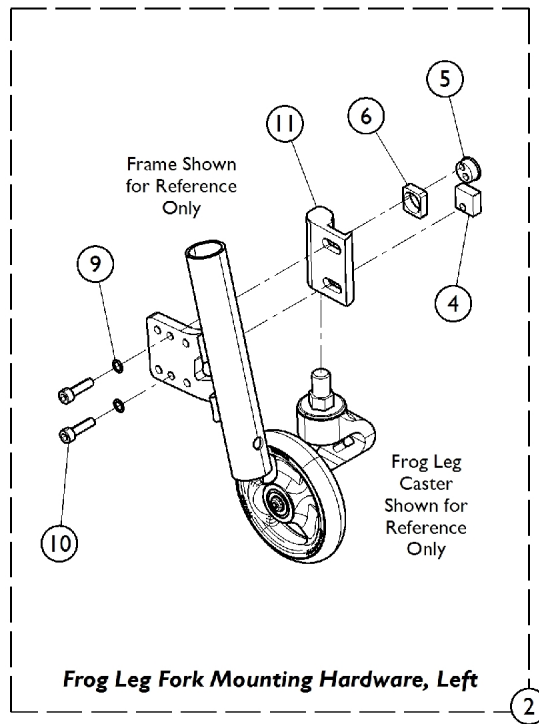
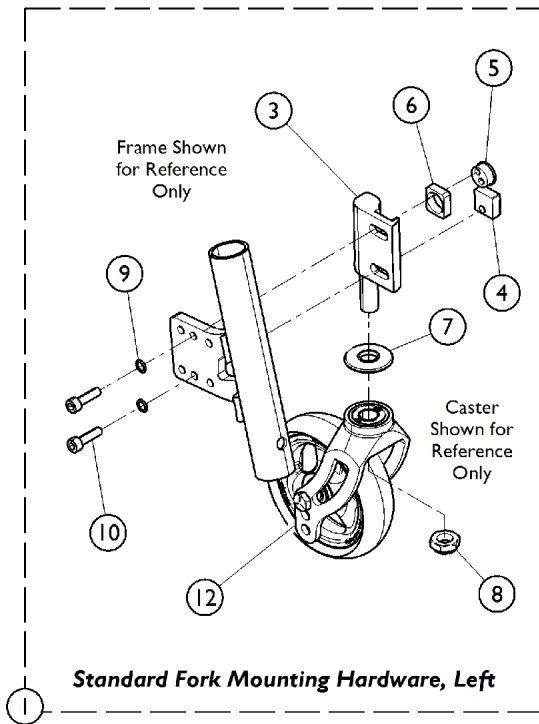
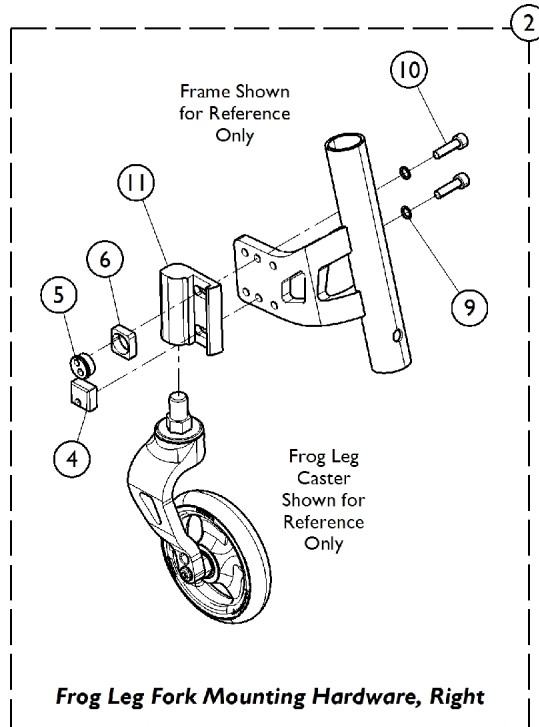
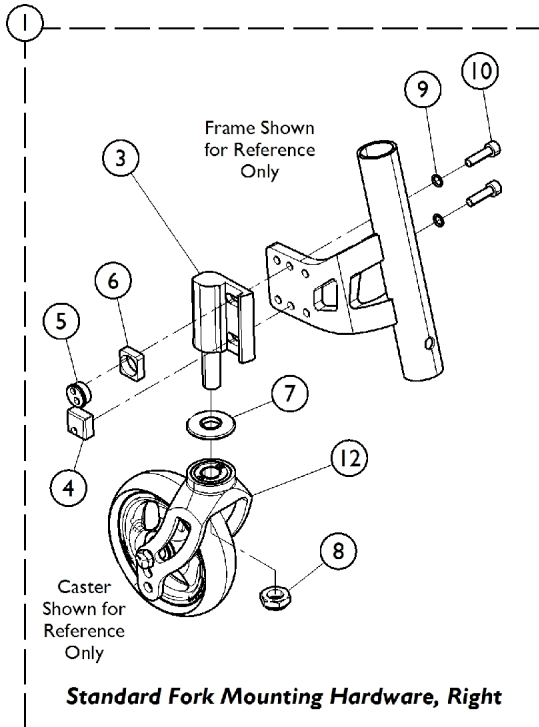


# Fork Mounting Hardware - Standard (STD) and Frog Leg (FLOSF)



## Fork Mounting Hardware - Standard (STD) and Frog Leg (FLOSF)

Item Number	Note	Part Number	Description	Quantity Per	
				Package	Assembly
1	A	1172691	Kit, Hardware, Standard Fork - Right	1	1
3			Caster Holder Assembly w/ Screw	1	1
4			Nut, Square, Caster - Right (M6 x 1)	1	1
5			Nut, Eccentric (M6 x 1)	1	1
6			Nut, Eccentric, Base	1	1
7			Spacer, Fork	1	1
8			Locknut (1/2-20)	1	1
9			Washer, Belleville (1/4 x 3/8 x 1/16")	1	2
10			Screw, Socket Head, Cap (M6 x 1 x 22mm)	1	2
12			Fork Assembly w/ Bearings, Black	1	1
1	A	1172692	Kit, Hardware, Standard Fork - Left	1	1
3			Caster Holder Assembly w/ Screw - Left	1	1
4			Nut, Square, Caster - Left (M6 x 1)	1	1
5			Nut, Eccentric (M6 x 1)	1	1
6			Nut, Eccentric, Base	1	1
7			Spacer, Fork	1	1
8			Locknut (1/2-20)	1	1
9			Washer, Belleville (1/4 x 3/8 x 1/16")	1	2
10			Screw, Socket Head, Cap (M6 x 1 x 22mm)	1	2
12			Fork Assembly w/ Bearings, Black	1	1
2	B	1180303	Kit, Hardware, Frog Leg Fork - Right	1	1
4			Nut, Square, Caster - Right (M6 x 1)	1	1
5			Nut, Eccentric (M6 x 1)	1	1
6			Nut, Eccentric, Base	1	1
9			Washer, Belleville (1/4 x 3/8 x 1/16")	1	2
10			Screw, Socket Head, Cap (M6 x 1 x 22mm)	1	2
11			Holder, Caster - Right	1	1
2	B	1180304	Kit, Hardware, Frog Leg Fork - Left	1	1
4			Nut, Square, Caster - Left (M6 x 1)	1	1
5			Nut, Eccentric (M6 x 1)	1	1
6			Nut, Eccentric, Base	1	1
9			Washer, Belleville (1/4 x 3/8 x 1/16")	1	2
10			Screw, Socket Head, Cap (M6 x 1 x 22mm)	1	2
11			Holder, Caster - Left	1	1

NOTE: A - Includes items 3, 4, 5, 6, 7, 8, 9, 10, and 12.

B - Includes items 4, 5, 6, 9, 10, and 11.