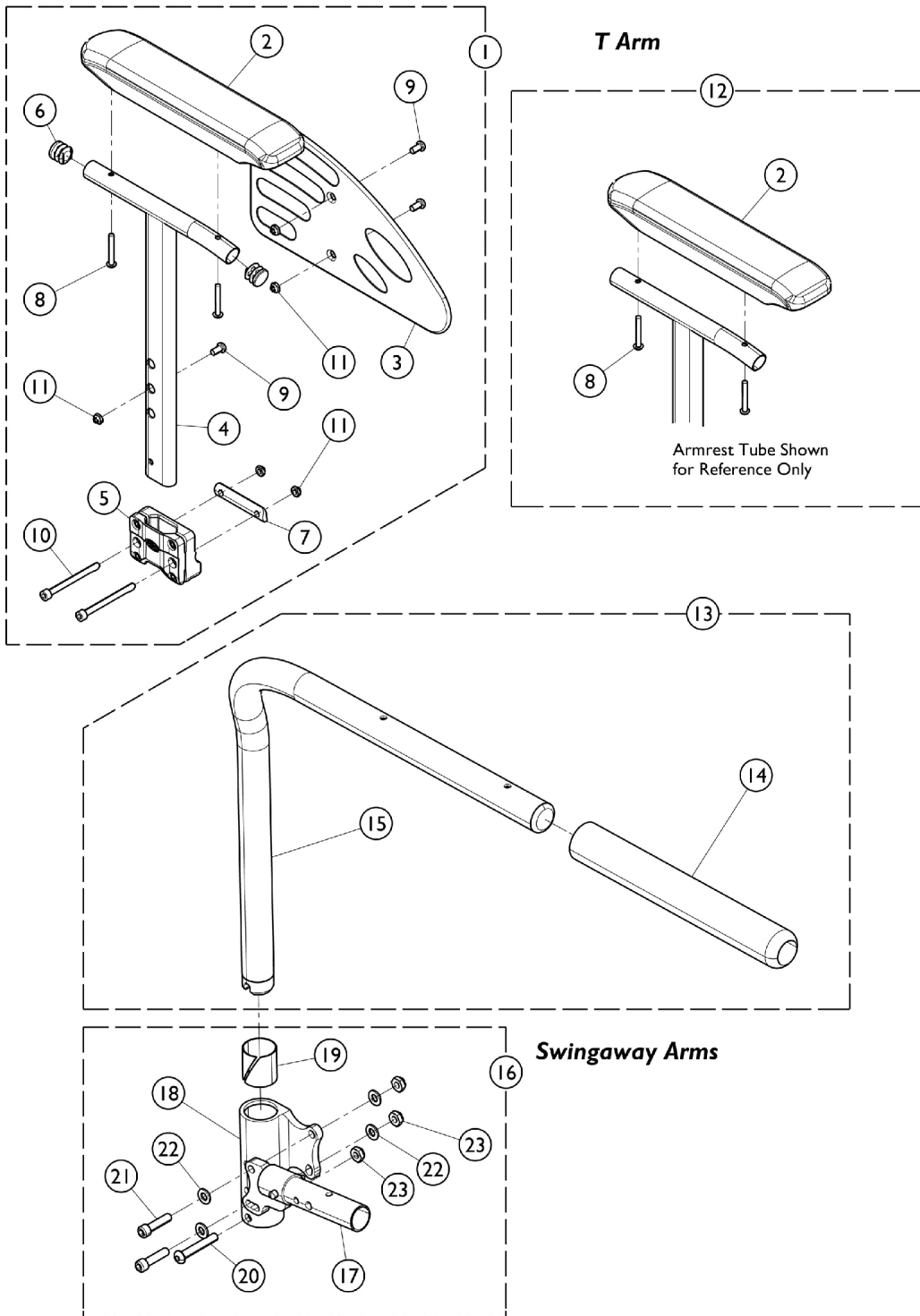


# Arms - T Style and Swingaway



## Arms - T Style and Swingaway

Item Number	Note	Part Number	Description	Quantity Per	
				Package	Assembly
1	A	1172634-NLA	NLA - Kit, T-Arm, Adjustable Height w/ Hardware - Right	1	1
2			Arm Pad, Desk Length	1	1
3			Guard, Clothing - Right/Left	1	1
4			Tube, Armrest - Right	1	1
5			NLA - Support, Armrest	1	1
6			Plug Button, Black (3/4")	1	2
7			Spacer, T-Arm	1	1
8			Screw, Socket, Button Head (M5 x 35mm)	1	2
9			Screw, Socket Button Head (M6 x 1 x 12mm)	1	3
10			Screw, Class CHC (M6 x 1 x 70mm)	1	2
11			NLA - Locknut (M6 x 1)	1	5
1	A	1172635-NLA	NLA - Kit, T-Arm, Adjustable Height w/ Hardware - Left	1	1
2			Arm Pad, Desk Length	1	1
3			Guard, Clothing - Right/Left	1	1
4			Tube, Armrest, Black - Left	1	1
5			NLA - Support, Armrest	1	1
6			Plug Button, Black (3/4")	1	2
7			Spacer, T-Arm	1	1
8			Screw, Socket, Button Head (M5 x 35mm)	1	2
9			Screw, Socket Button Head (M6 x 1 x 12mm)	1	3
10			NLA - Screw, Socket Head (M6 x 1 x .50mm)	1	2
11			NLA - Locknut (M6 x 1)	1	5
12	B	1162413	Kit, Armpad, Desk Length (Pair) (CNAD, TAD)	1	1
2			Arm Pad, Desk Length	1	2
8			Screw, Socket Head, Torx (K50 x 30mm)	1	4
13		1170499-NLA	NLA - Half Arm Assembly, Black - Right	1	1
13		1170500-NLA	NLA - Half Arm Assembly, Black - Left	1	1
14		1032244	Grip, Foam Hand (9" L)	1	1
15		1032202	Half Arm Tube - Right	1	1
15		1032203	Half Arm Tube - Left	1	1
16	C	1169974-NLA	NLA - Kit, Conversion, Swingaway Arm	1	1
17			NLA - Swingaway Arm Mounting Assembly - Right	1	1
17			Swingaway Arm Mounting Assembly - Left	1	1
18			NLA - Socket, Arm, Half - Right	1	1
18			NLA - Socket, Arm, Half - Left	1	1
19			Sleeve, Bearing	1	2
20			Screw, Socket, Cap, Button Head (1/4-28 x 1-9/16")	1	2
21			NLA - Screw, Cap, Socket Head (1/4-28 x 1")	1	4
22			NLA - Washer, Steel (1/4 x 1/2 x 3/64")	1	8
23			Locknut (1/4-28)	1	6

NOTE: A - Includes items 2 - 11.  
B - Includes items 2 and 8.  
C - Includes items 17 - 23, item 17 (Swingaway Arm Mounting Assembly) includes a Plunger Pin and Spring.