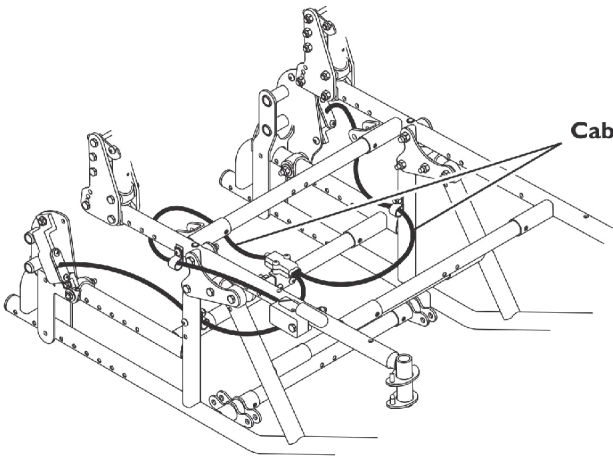
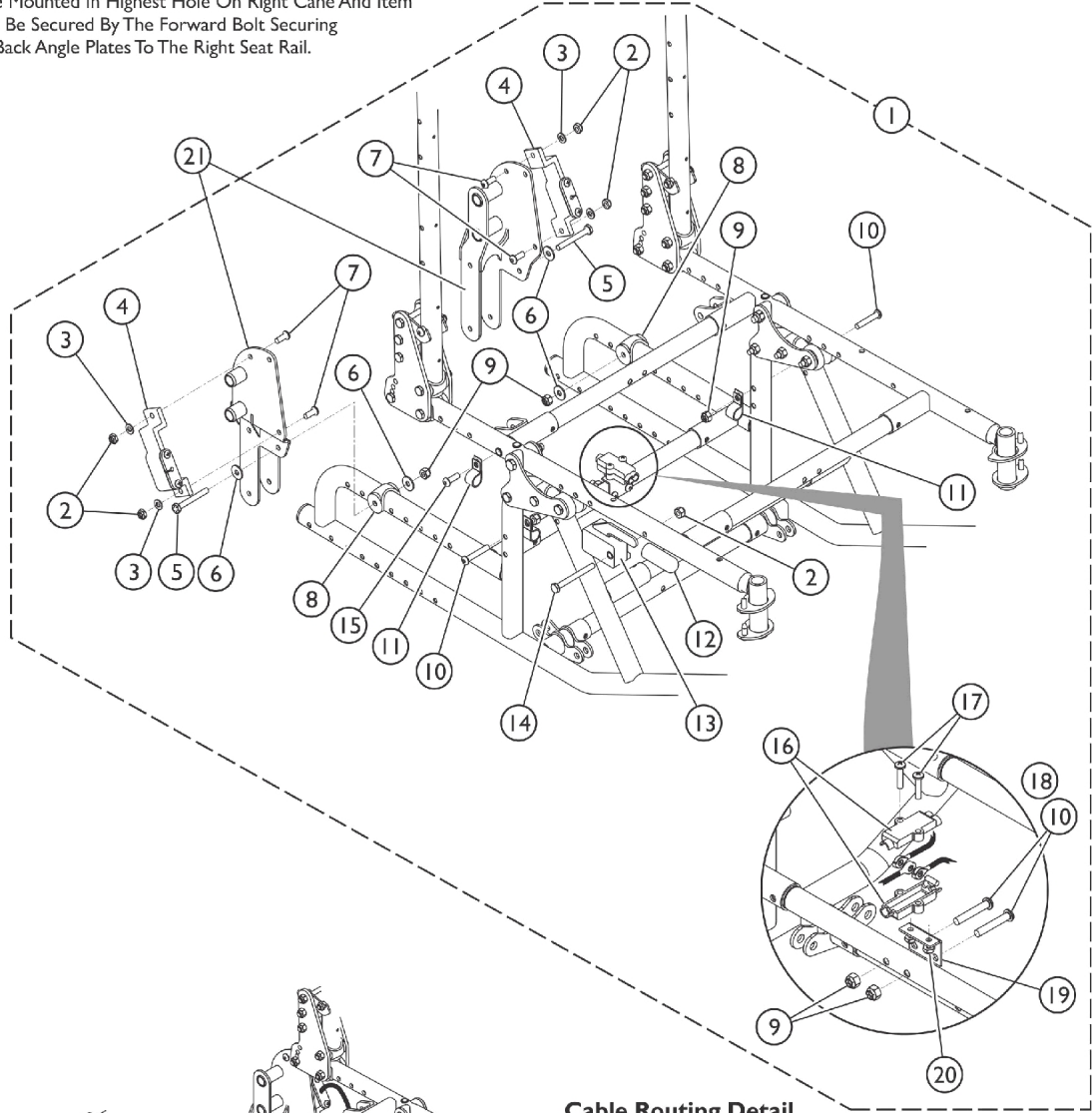


Hublock Replacement Kits (After 10/31/07)

Seat Rail Mount Shown. For Cane Mount, Item 13
To Be Mounted In Highest Hole On Right Cane And Item
11 To Be Secured By The Forward Bolt Securing
The Back Angle Plates To The Right Seat Rail.



Cable Routing Detail

Hublock Replacement Kits (After 10/31/07)

Item Number	Note	Part Number	Description	Quantity Per	
				Package	Assembly
1	C,A,B	1132609	Kit, Hublock Cables and Hardware	1	1
2			Locknut (1/4-28)	1	5
3			Washer (1/4 x 1/2 x 1/16")	1	5
4			Latch with Cable Assembly, Hublock - Right	1	1
4			Latch with Cable Assembly, Hublock - Left	1	1
5			NLA - Screw, Hex Head (1/4-28 x 2")	1	2
6			Washer (1/4 x 23/32 x 1/16")	1	4
7			NLA - Screw, Socket Button Head (1/4-28 x 3/4")	1	4
8			Uni-Washer, Coved	1	2
9			Locknut (1/4-20)	1	6
10			Screw, Socket Button Head (1/4-28 x 1-1/2")	1	4
11			NLA - Bracket, Cable/Wire Mounting, Black	1	3
12			Tip, Plastic, Black	1	1
13			Actuator w/ Cable Assembly, Hand Operated	1	1
14			Screw, Socket Head (1/4-20 x 2-1/4")	1	1
15			Screw, Socket Button (1/4-20 x 3/4")	1	1
16			Box, Junction Cable	1	2
17			Screw, Socket Button Head (#10-32 x 1")	1	2
18			Pin, Dowel (3/16 x 1/2")	1	1
19			Box, Junction Cable	1	1
20	Locknut (#10-32)	1	2		
4	D,E,B	1132357	Latch with Cable Assembly, Hublock - Right	1	1
4	D,E,B	1132358	Latch with Cable Assembly, Hublock - Left	1	1
16		1132375	Box, Junction Cable	1	1
12		1127688	Package, Plastic Tip, Black	10	1
13	B	1132359	Actuator w/ Cable Assembly, Hand Operated	1	1
21		1132383	Plate, Rear Axle Hublock - Right	1	1
21		1132384	Plate, Rear Axle Hublock - Left	1	1

NOTE: A - Includes items 2-20
 B - Items 4 and 13 include the cable which is shown in the cable routing detail
 C - Items 4, 8, 12, & 13 are sold separately as service parts.
 D - For chairs manufactured before 2/2/09, it is recommended to order the Hublock Latch with Cable Assembly part numbers 1132357 and 1132358 together.
 E - For chairs manufactured after 2/1/09, it is also recommended to order both Hublock Latch with Cable Assembly part numbers 1132357 and 1132358 together to allow even wear on the components.