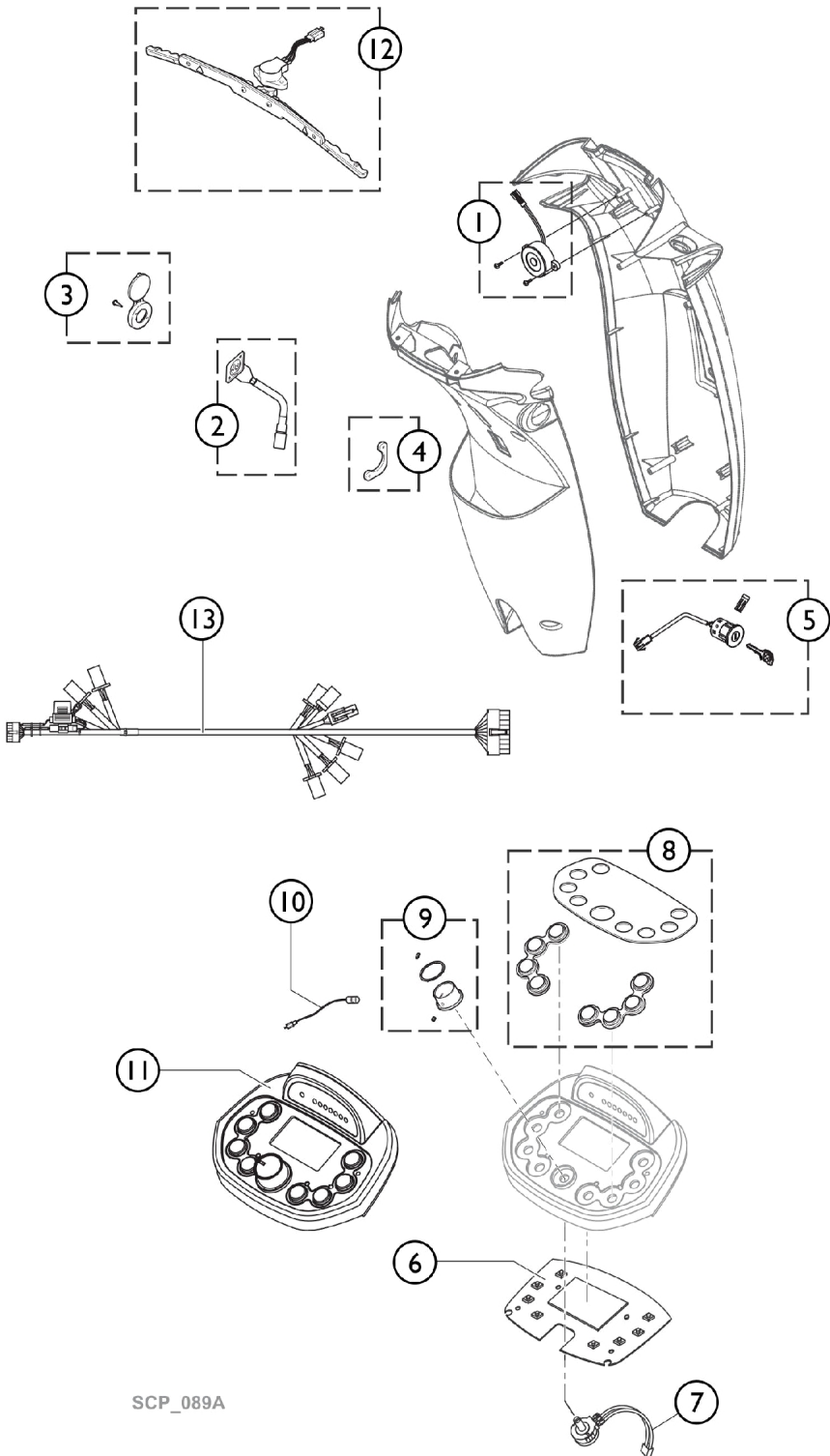


Electronic Components



Electronic Components

Item Number	Note	Part Number	Description	Quantity Per	
				Package	Assembly
1		1506153	Buzzer	--	1
2		1523543	Charger Port	--	1
3		1523534	Cover, Charger Port	--	1
4		1523544	Bracket, Charger-Inlett	--	1
5		1505451	Ignition, Key Cylinder (Standard)	--	1
6		1608208	P.C. Board LCD	--	1
7		1505462	Variable Resistor, Complete (30.0KO)	--	1
8		1637215	Display cover & rubber keys (LCD Display)	--	1
9		1608207	Knob, Speed control	--	1
10		1608204	Temperature sensor	--	1
11		1608185	Steering Upper Assembly LCD	--	1
12		1608200	Wig Wag, cpl.	--	1
13		1608212	Wire harness - Pro	--	1
13		1608229	Wire harness - Alpine+ & Ultra	--	1
	A	1521577	Fuse (10 Amp)	--	1

NOTE: A - Not Shown