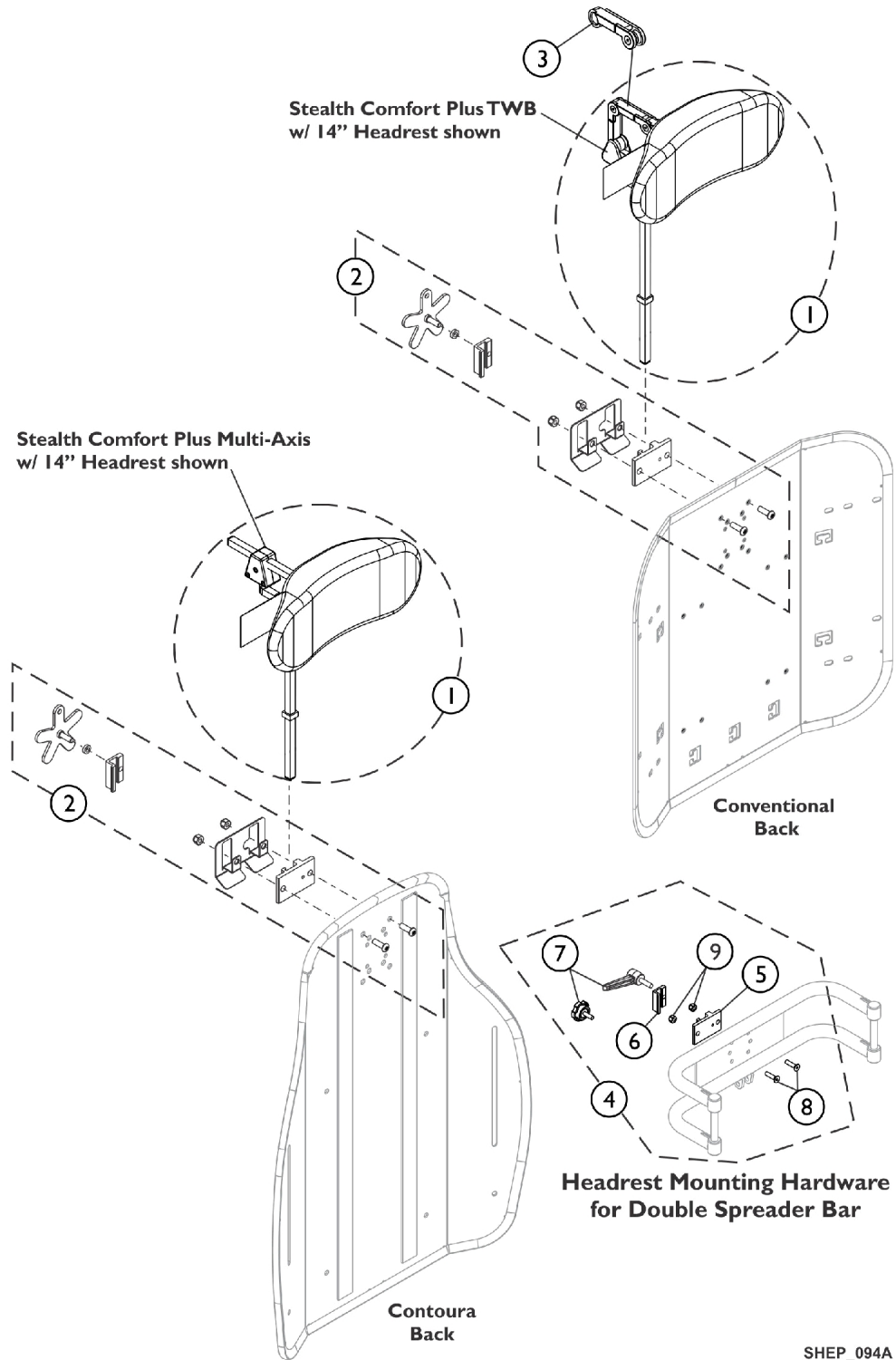


Headrest Support Assembly, Stealth CP175/CP275/CP180/CP280



Headrest Support Assembly, Stealth CP175/CP275/CP180/CP280

Item Number	Note	Part Number	Description	Quantity Per	
				Package	Assembly
1	A,H	1127408-NLA	NLA - Kit, Headrest 10" TWB Comfort Plus Stealth (CP280)	1	1
1	A,H	1127409-NLA	NLA - Kit, Headrest 14" TWB Comfort Plus Stealth (CP180)	1	1
1	A,H	1127410-NLA	NLA - Kit, Headrest 10" Multi-Axis Comfort Plus Stealth (CP275)	1	1
1	A	1127411-NLA	NLA - Kit, Headrest 14" Multi-Axis Comfort Plus Stealth (CP175)	1	1
2	B	1124686	Kit, Headrest Mounting Hardware	1	1
3	B,C	1127414	Kit, Link Extension Stealth	1	1
4	D,F,G	0273100	Kit, Headrest Clamp, Lever Style	1	1
5	E	0237422-NLA	NLA - Clamp, Small Bottom Half	1	1
6	E	0237522-NLA	NLA - Clamp, Small Top Half	1	1
7		1072439-NLA	NLA - Knob, Adjustment, Black (3/4" L Threads)	1	1
8		0288706-NLA	NLA - Screw, Socket, Flat Head (1/4-20 x 1")	1	2
9		1025736	Locknut (1/4-20)	1	2

NOTE: A - The mounting hardware will contain a lever and star knob tightening device. Disregard the lever that is provided standard by stealth and use the star knob designed for the Formula TRE systems.

B - Individual components are not available. The Headrest Mounting Hardware Kit was revised to include a Wire Guard Bracket and is used for Conventional and Contoura Backs. The Headrest Mounting Hardware Kit is also backward compatible in the field.

C - The Stealth Link Extension used on the Stealth Comfort Plus TWB models only

D - Includes items 5-9. Item 7 Adjustment Knob was replaced with an Adjustment Lever. The Lever is not available as a separate part. The knob Part # 1072439 is interchangeable with the Lever.

E - Clamp is no longer available individually. See item 4 Clamp Assembly part number 0273100.

F - Hardware can also be used with an Invacare/Matrx Personal Back, Matrx PB Posture Back and Matrx Elite Backs.

G - For Matrx Elite Backs, item #4 Headrest Clamp Kit attaches to an Adapter Plate that is only included with the Adapter Plate Kit model numbers EHRA-S, EHRA-M or EHRA-L. Refer to the Matrx Rehab Seating and Positioning Pricelist for additional information.

H - Stealth Headrest No Longer Available. See page titled "Headrest Support Assembly - Matrx Elan MEHSP-10, 14" for replacement.