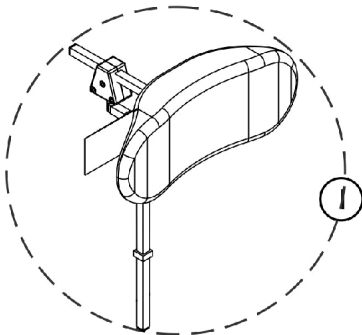
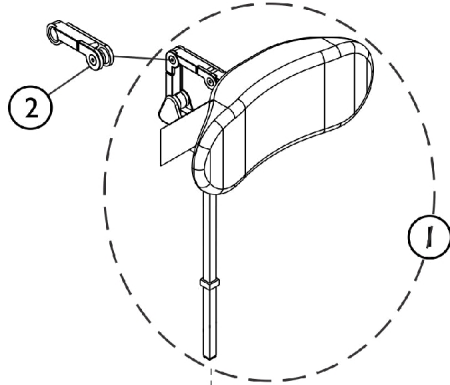


# Headrest Support Assembly, Stealth

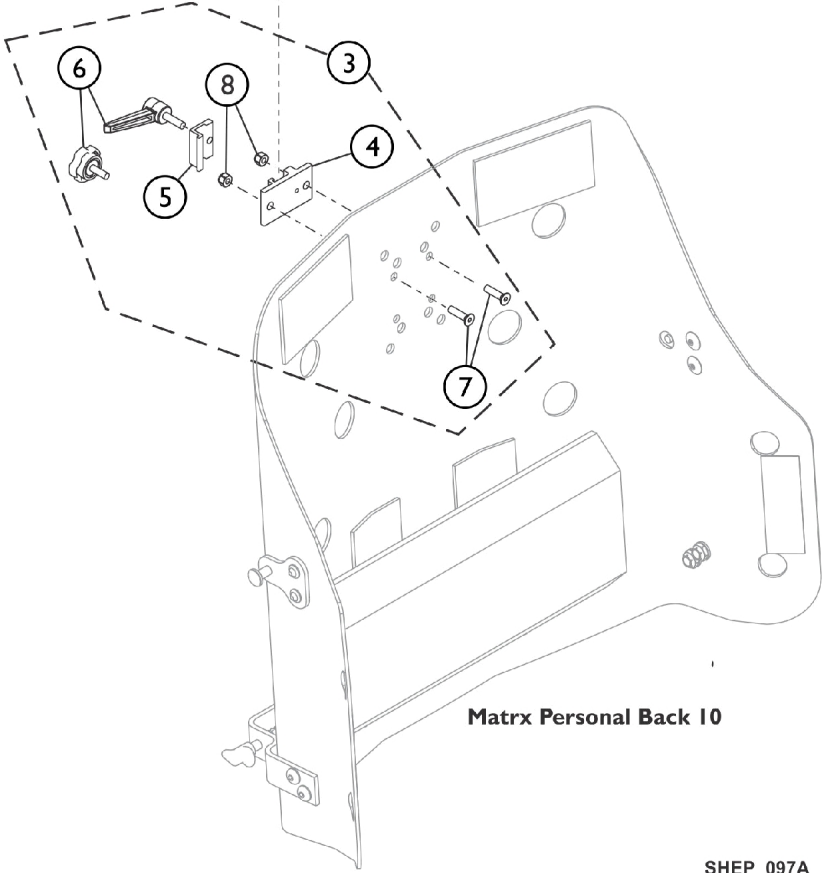
CP175/CP275/CP180/CP280



**Stealth Comfort Plus Multi-Axis  
w/ 14" Headrest shown**



**Stealth Comfort Plus TWB  
w/ 14" Headrest shown**



**Matrix Personal Back 10**

## Headrest Support Assembly, Stealth CP175/CP275/CP180/CP280

Item Number	Note	Part Number	Description	Quantity Per	
				Package	Assembly
1	F,A	1127408-NLA	NLA - Kit, Headrest 10" TWB Comfort Plus Stealth (CP280)	1	1
1	F,A	1127409-NLA	NLA - Kit, Headrest 14" TWB Comfort Plus Stealth (CP180)	1	1
1	F,A	1127410-NLA	NLA - Kit, Headrest 10" Multi-Axis Comfort Plus Stealth (CP275)	1	1
1	F,A	1127411-NLA	NLA - Kit, Headrest 14" Multi-Axis Comfort Plus Stealth (CP175)	1	1
2	B	1127414	Kit, Link Extension Stealth	1	1
3	C,E	0273100	Kit, Headrest Clamp, Lever Style	1	1
4	D	0237422-NLA	NLA - Clamp, Small Bottom Half	1	1
5	D	0237522-NLA	NLA - Clamp, Small Top Half	1	1
6		1072439-NLA	NLA - Knob, Adjustment, Black (3/4" L Threads)	1	1
7		0288706-NLA	NLA - Screw, Socket, Flat Head (1/4-20 x 1")	1	2
8		1025736	Locknut (1/4-20)	1	2

NOTE: A - The mounting hardware will contain a lever and star knob tightening device. Use the lever that is provided standard by stealth and disregard the star knob that is designed for the Formula TRE systems.  
B - The Stealth Link Extension used on the Stealth Comfort Plus TWB models only  
C - Includes items 4-8. Item 6 Adjustment Knob was replaced with an Adjustment Lever. The Lever is not available as a separate part. The knob Part # 1072439 is interchangeable with the Lever.  
D - Clamp is no longer available individually. See item 3 Clamp Assembly part number 0273100.  
E - Hardware used with Invacare/Matrx Personal Back 10 models.  
F - Stealth Headrest No Longer Available. See page titled "Headrest Support Assembly - Matrx Elan MEHSP-10, 14" for replacement.