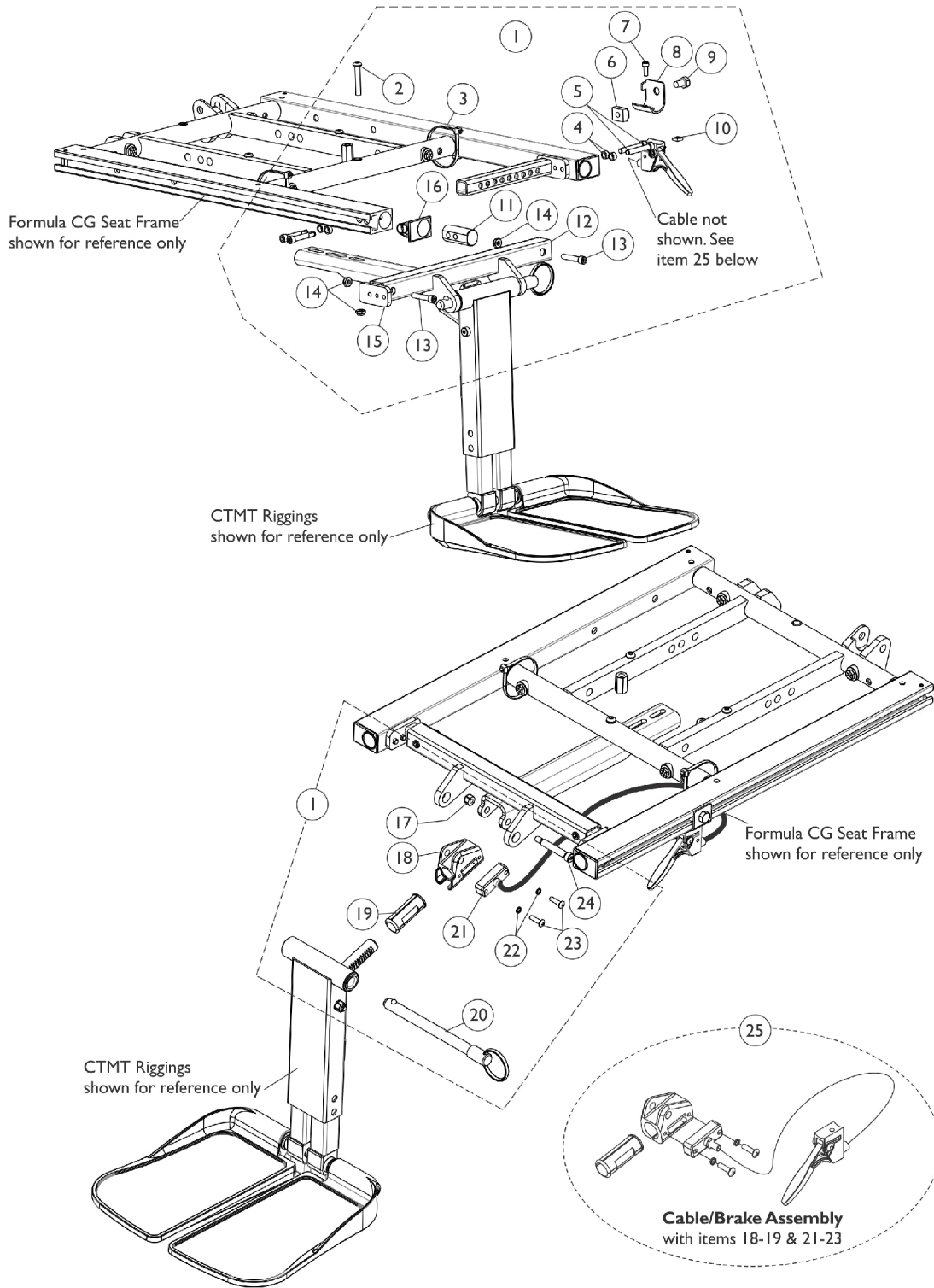


Center Mount Rigging Mounting Hardware (CGR 19"-22" D) (CGT,CGTE,CGTR, CGTRE) (16"-24" W) TDX SP/SP-GT/SR



Center Mount Rigging Mounting Hardware (CGR 19"-22" D) (CGT,CGTE,CGTR, CGTRE) (16"-24" W) TDX SP/SP-GT/SR

Item Number	Note	Part Number	Description	Quantity Per	
				Package	Assembly
1	D,D1,A	1147095	Kit, CTMT-F Center Mount Riggings Mounting Hardware (16" - 19" D)	1	1
2			Screw, Socket Button Head (1/4-20 x 1-1/2")	1	1
3			Tie Wrap (11-1/2" L)	1	2
4			NLA - Spacer (1/4 x 3/8 x 3/16")	1	4
5			Screw, Socket Head Cap w/ Patch (1/4-20 x 1-1/2")	1	4
6			T-Nut (5/16-18)	1	1
7			NLA - Screw, Socket Head (#10-32 x 1/2")	1	1
8			Bracket, Release Handle Mounting, Black	1	1
9			NLA - Screw, Hex Head w/ Patch (5/16-18 x 1/2")	1	1
10			Nut, Square (#10-32)	1	1
11			Plug, Support	1	2
12			Support, Footrest, Center Mount Rigging, Black (16"-19" D)	1	1
13			Screw, Socket Head (1/4-20 x 1-1/4")	1	2
14			Locknut (1/4-20)	1	3
15			Support, Seat Pan (16-24" Wide)	1	2
16			Cap, End, Side Rail, Black	1	2
17			Locknut (1/4-20)	1	1
18			Housing, Ratchet	1	1
19			Bearing, Glide	1	2
20			NLA - Pin, Quick Release (5" Long)	1	1
21			Cable/Brake Assembly	1	1
22			NLA - Washer, Lock (3/16 x 5/16 x 1/32")	1	2
23			Screw, Phillips Pan Head (#10-32 x 11/16")	1	2
24			Screw, Shoulder Hex Socket Head (5/16" x 1-5/8", 1/4-20)	1	1
12	D,D1	1146336	Support, Footrest, Center Mount Rigging, Black (16"-19" D)	1	1
18		1113389	Housing, Ratchet	1	1
19		1113383	Bearing, Glide	1	2
21		1113622	Cable/Brake Assembly	1	1
22		1028527-NLA	NLA - Washer, Lock (3/16 x 5/16 x 1/32")	1	2
23		40163X008	Screw, Phillips Pan Head (#10-32 x 11/16")	1	2
25		B	1121079	Cable/Brake Assembly w/ Ratchet Housing and Glide Bearing	1
1	F,A	1147096	Kit, CTMT-F Center Mount Riggings Mounting Hardware (19"-22" Deep)	1	1
2			Screw, Socket Button Head (1/4-20 x 1-1/2")	1	1
3			Tie Wrap (11-1/2" L)	1	2
4			NLA - Spacer (1/4 x 3/8 x 3/16")	1	4
5			Screw, Socket Head Cap w/ Patch (1/4-20 x 1-1/2")	1	4
6			T-Nut (5/16-18)	1	1
7			NLA - Screw, Socket Head (#10-32 x 1/2")	1	1
8			Bracket, Release Handle Mounting, Black	1	1
9			NLA - Screw, Hex Head w/ Patch (5/16-18 x 1/2")	1	1
10			Nut, Square (#10-32)	1	1

Center Mount Rigging Mounting Hardware (CGR 19"-22" D) (CGT,CGTE,CGTR, CGTRE) (16"-24" W) TDX SP/SP-GT/SR

Item Number	Note	Part Number	Description	Quantity Per	
				Package	Assembly
11			Plug, Support	1	2
12			Support, Center Mount Rigging, Black (19"-22" D)	1	1
13			Screw, Socket Head (1/4-20 x 1-1/4")	1	2
14			Locknut (1/4-20)	1	3
15			Support, Seat Pan (16-24" Wide)	1	2
16			Cap, End, Side Rail, Black	1	2
17			Locknut (1/4-20)	1	1
18			Housing, Ratchet	1	1
19			Bearing, Glide	1	2
20			NLA - Pin, Quick Release (5" Long)	1	1
21			Cable/Brake Assembly	1	1
22			NLA - Washer, Lock (3/16 x 5/16 x 1/32")	1	2
23			Screw, Phillips Pan Head (#10-32 x 11/16")	1	2
24			Screw, Shoulder Hex Socket Head (5/16" x 1-5/8", 1/4-20)	1	1
12		1147091	Support, Center Mount Rigging, Black (19"-22" D)	1	1
18		1113389	Housing, Ratchet	1	1
19		1113383	Bearing, Glide	1	2
21		1113622	Cable/Brake Assembly	1	1
22	E	1028527-NLA	NLA - Washer, Lock (3/16 x 5/16 x 1/32")	1	2
23		40163X008	Screw, Phillips Pan Head (#10-32 x 11/16")	1	2
25	B	1121079	Cable/Brake Assembly w/ Ratchet Housing and Glide Bearing	1	1
	C	1145733-NLA	NLA - Instruction Sheet, Center Mount Rigging For Formula CG	1	1

NOTE: A - Includes items 2-24
B - Includes items 18-19 & 21-24
C - Not Shown
D - Part #1147095 and 1146336 is "no longer" used for (CGR 16"-19" D) models as of 4/23/12. See page titled "Center Mount Rigging Mounting Hardware (CGR 16"-19" D) (16"-24" W) TDX SP/SP-GT/SR".
D1 - Part #1147095 is used for models (CGT/CGTE/CGTR/CGTRE 16"-19" D). Also used for model (CGR 19"-22" D).
E - Item #22 Lock Washer is no longer saleable individually.
F - Part #1147096 is used for models (CGT/CGTE/CGTR/CGTRE 19"-22" D) only. For model (CGR 19"-22" D), see part #1147095.