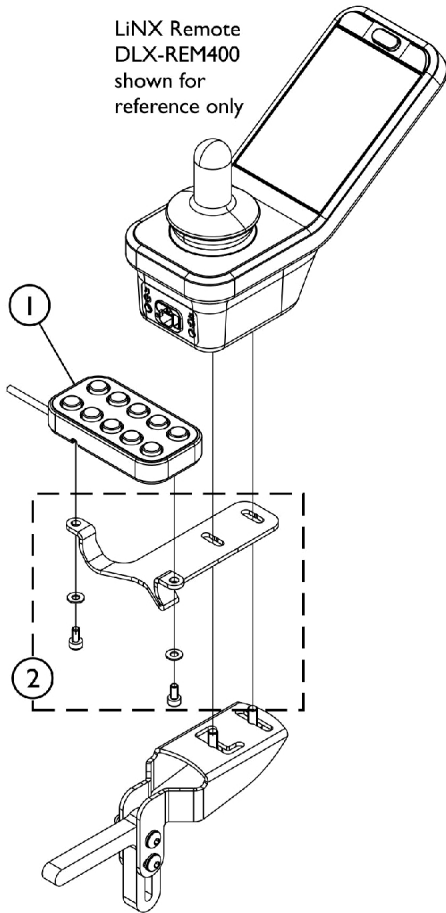
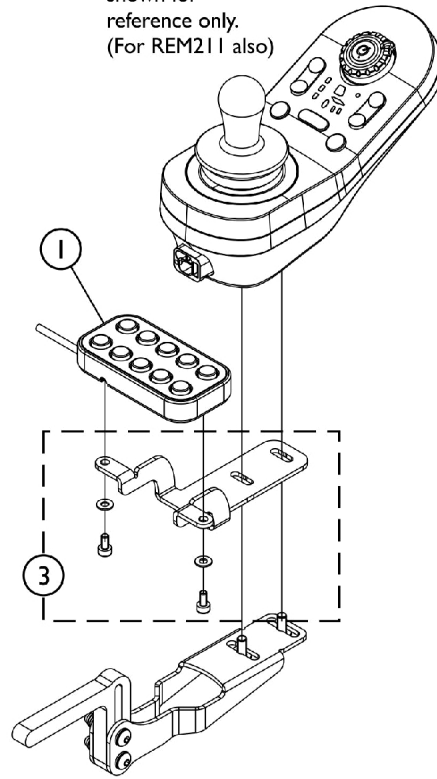


LiNX DLX-SW100 10-Way Switch and Mounting Hardware

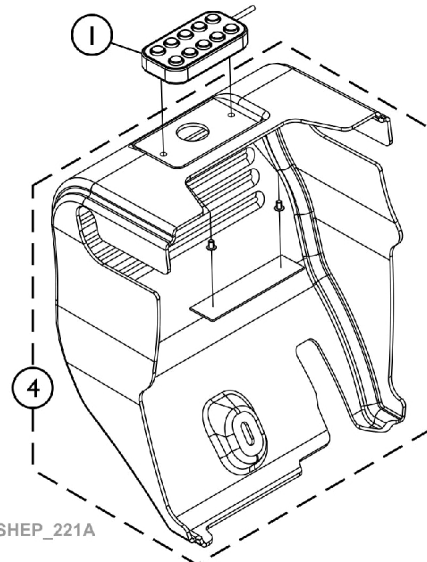
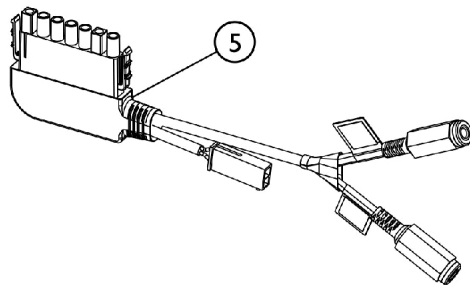
LiNX Remote
DLX-REM400
shown for
reference only



LiNX Remote
DLX-REM216
shown for
reference only.
(For REM211 also)



Remote Bracket Assembly
shown for reference only



SHEP_221A

LiNX DLX-SW100 10-Way Switch and Mounting Hardware

Item Number	Note	Part Number	Description	Quantity Per	
				Package	Assembly
1	A	60102471	Kit, LiNX DLX-SW100 10-Way Switch	1	1
2		60102542	Kit, LiNX DLX-SW100 Mounting Hardware, Front, REM400	1	1
3		60102538	Kit, LiNX DLX-SW100 Mounting Hardware, Front, REM211/REM216	1	1
4		60102540	Kit, LiNX DLX-SW100 Mounting Hardware, Rear Shroud	1	1
5	A	60102539	Kit, Accessory Cable,LiNX, w/ 10-Way Switch and Lift AELM	1	1
			Accessory Cable,LiNX, w/ 10-Way Switch and Lift AELM	1	1
			Sheet, Insert Parts Service	1	1

NOTE: A - Item #5 Accessory Cable is always used with a LiNX DLX-SW100 10-Way Switch.