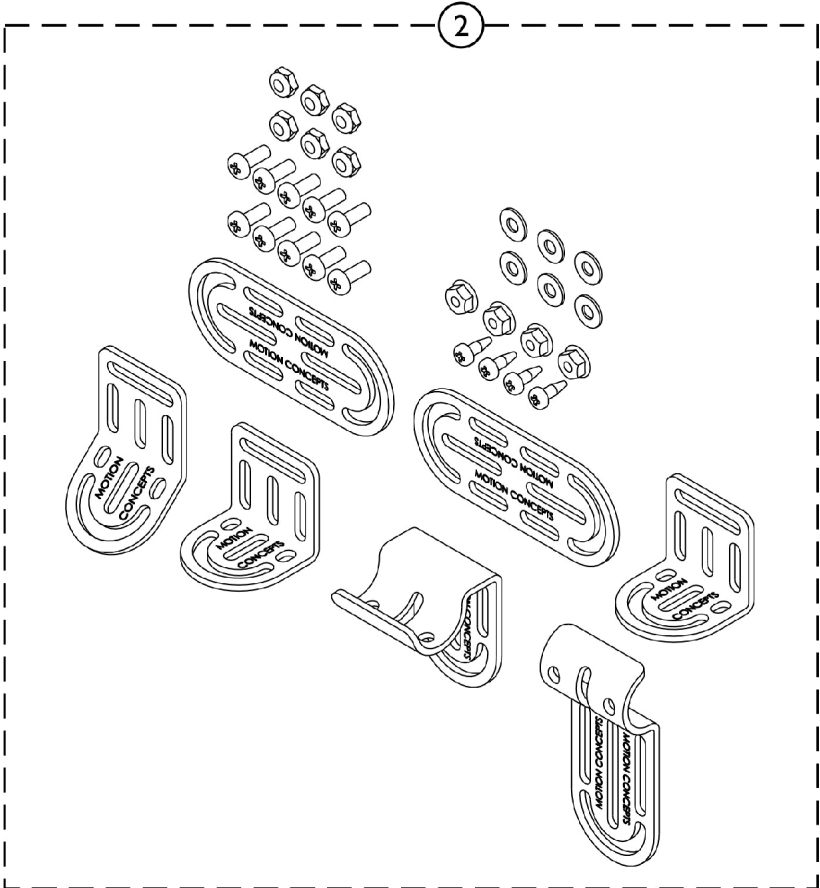
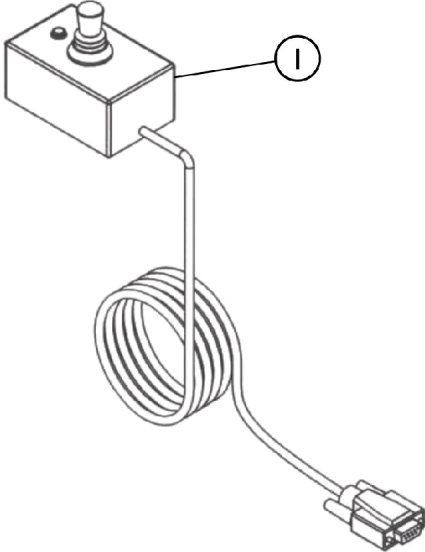


# 4-Way Toggle Switch (FWTM) and Mounting Hardware



## 4-Way Toggle Switch (FWTM) and Mounting Hardware

Item Number	Note	Part Number	Description	Quantity Per	
				Package	Assembly
1		60102511	Kit, 4-Way Toggle Switch (FWTM)	1	1
2		60102550	Kit, Toggle Switch Multi-Mount Hardware Assembly	1	1