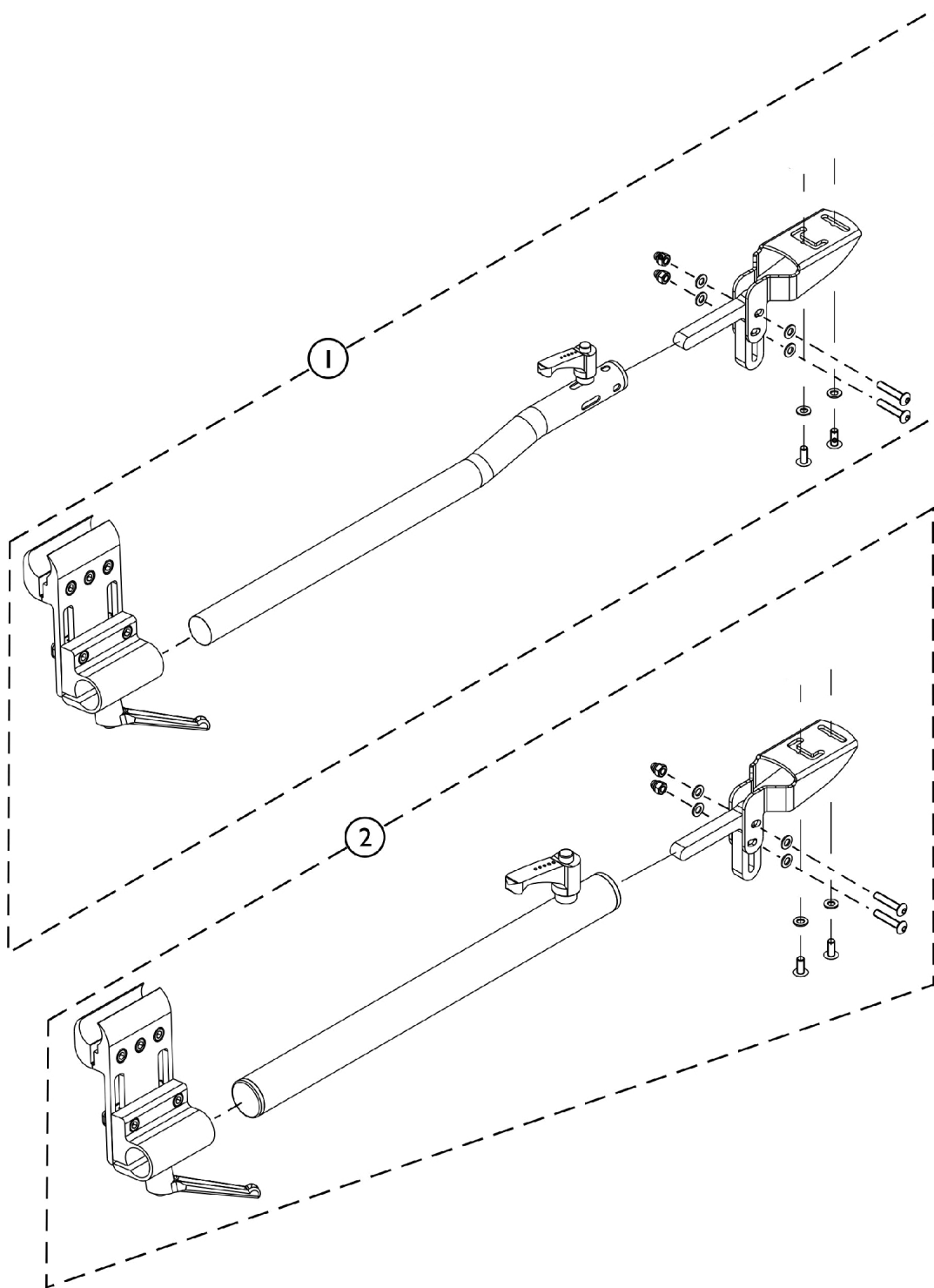


Joystick Tubes, Offset and Short



SHEP_208A

Joystick Tubes, Offset and Short

Item Number	Note	Part Number	Description	Quantity Per	
				Package	Assembly
1		60102482	Kit, Joystick Tube Assembly, Offset	1	1
2	A	60102483	Kit, Joystick Tube Assembly, Short	1	1

NOTE: A - Short Joystick Tube used for Quad Link Assembly and REM500 Display.