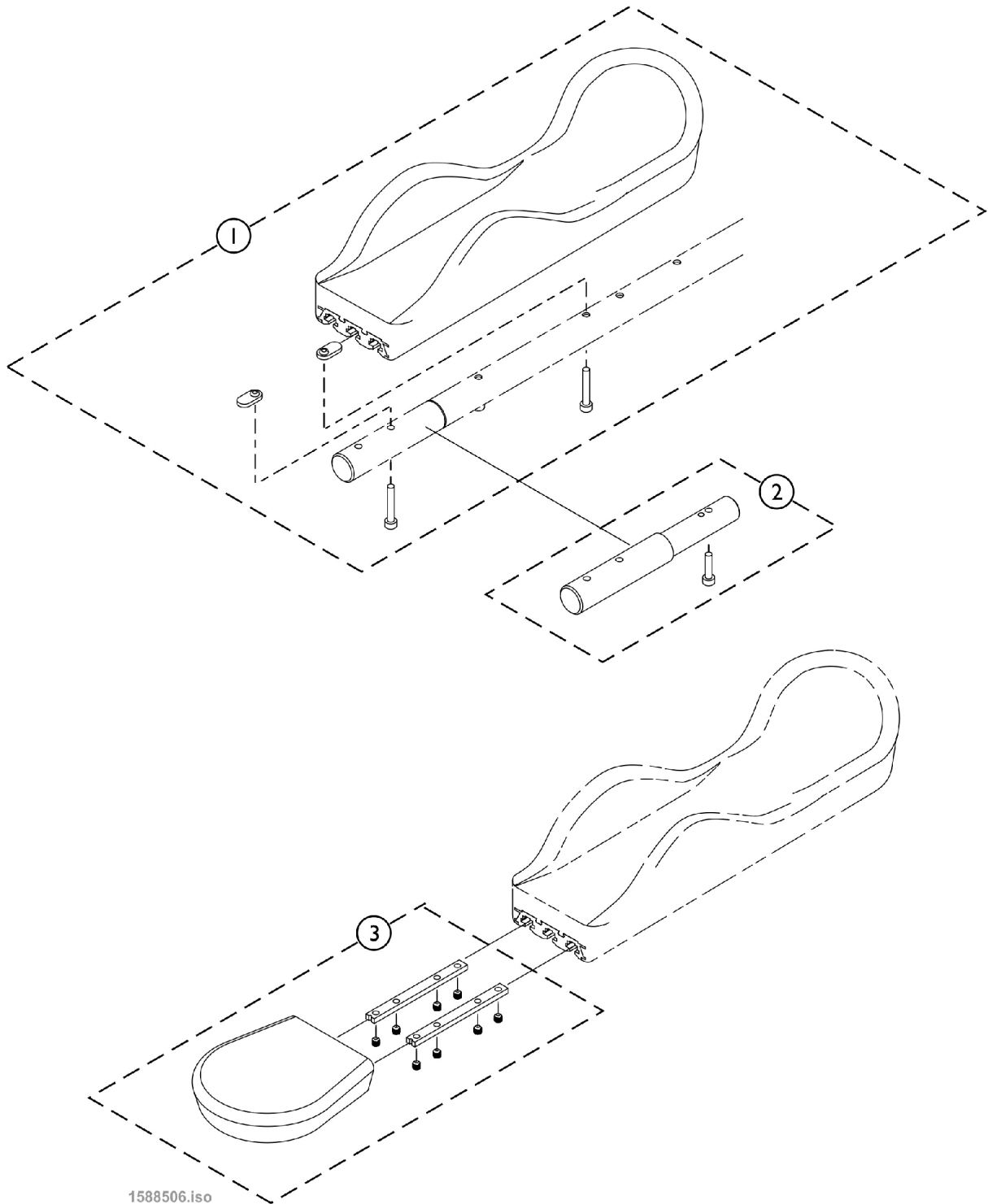


# Arm Trough Assembly, Ergonomic (ERGOL/ R; FHJL-LT/ RT)



1588506.iso  
SHEP\_245A

## Arm Trough Assembly, Ergonomic (ERGOL/ R; FHJL-LT/ RT)

Item Number	Note	Part Number	Description	Quantity Per	
				Package	Assembly
1		60102766	Kit, Arm Trough, Ergonomic - Left	1	1
1		60102767	Kit, Arm Trough, Ergonomic - Right	1	1
2		60102710	Kit, Desk to Full Armrest Extension	1	1
3		60102768	Kit, Flat Hand Pad	1	1