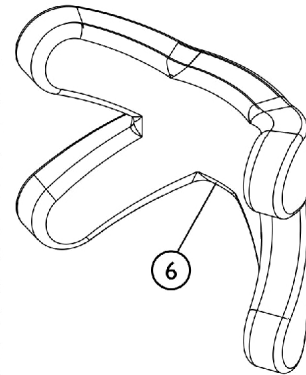
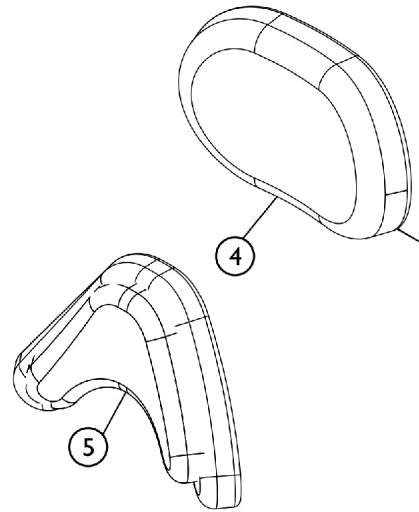
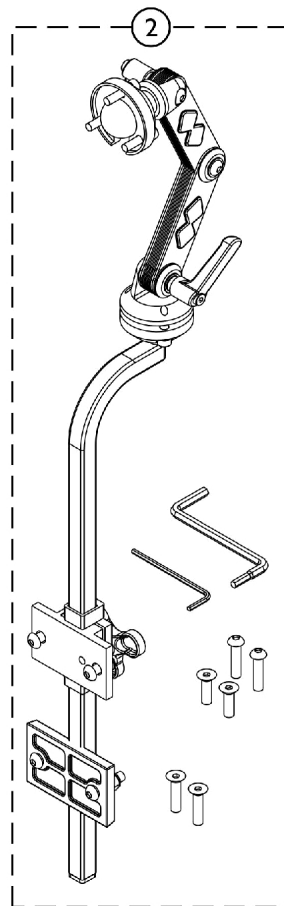
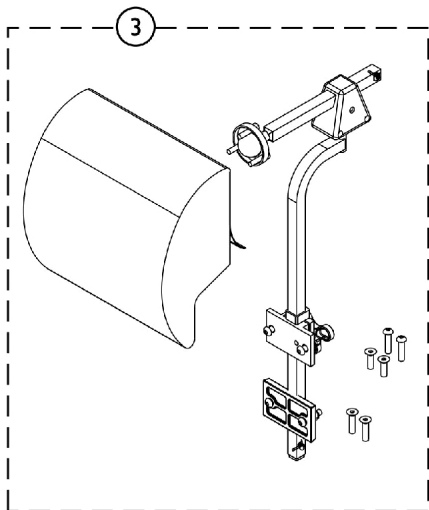
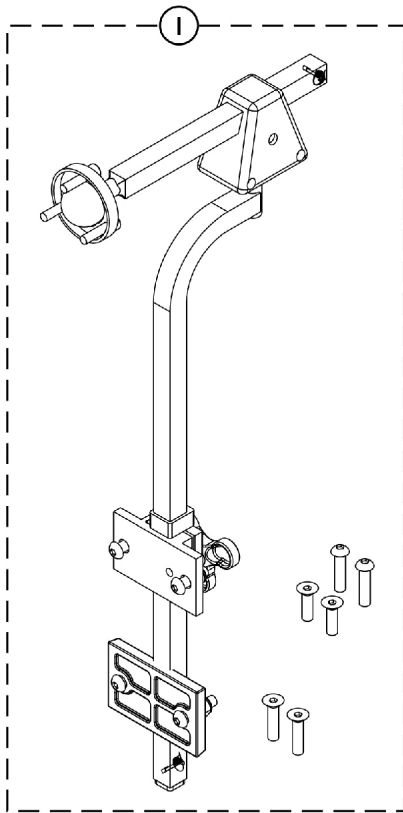


Headrest Assembly and Headrest Pads (MEHSP-6,10,14), (MEHOP-9, 12), (MEH-4P), (CAH)



SHEP_229A

Headrest Assembly and Headrest Pads (MEHSP-6,10,14), (MEHOP-9, 12), (MEH-4P), (CAH)

Item Number	Note	Part Number	Description	Quantity Per	
				Package	Assembly
1	A	60102835	Kit, Motion Concepts Multi-Axis Headrest Mounting Hardware	1	1
2	B	60102826	Kit, Elan Multi-Axis Articulating Headrest Mounting Hardware	1	1
3	D	60103328	Kit, Concepts Auto Style Headrest Pad and Mounting Hardware	1	1
4	E	60102825	Kit, MatrX Elan Standard Headrest Pad (6" W)	1	1
4	F	60102830	Kit, MatrX Elan Standard Headrest Pad (10" W)	1	1
4	G	60102833	Kit, MatrX Elan Standard Headrest Pad (14" W)	1	1
5	H	60102834	Kit, MatrX Elan Occipital All Positioning Headrest Pad (9" W)	1	1
5	I	60102836	Kit, MatrX Elan Occipital All Positioning Headrest Pad (12" W)	1	1
6	J	60102829	Kit, MatrX Elan 4-Point Headrest Pad (11" W x 10" H)	1	1
NOTE: A - For model CMAH B - For model MEMAH D - For model CAH E - For model MEHSP-6 F - For model MEHSP-10 G - For model MEHSP-14 H - For model MEHOP-9 I - For model MEHOP-12 J - For model MEH-4P					