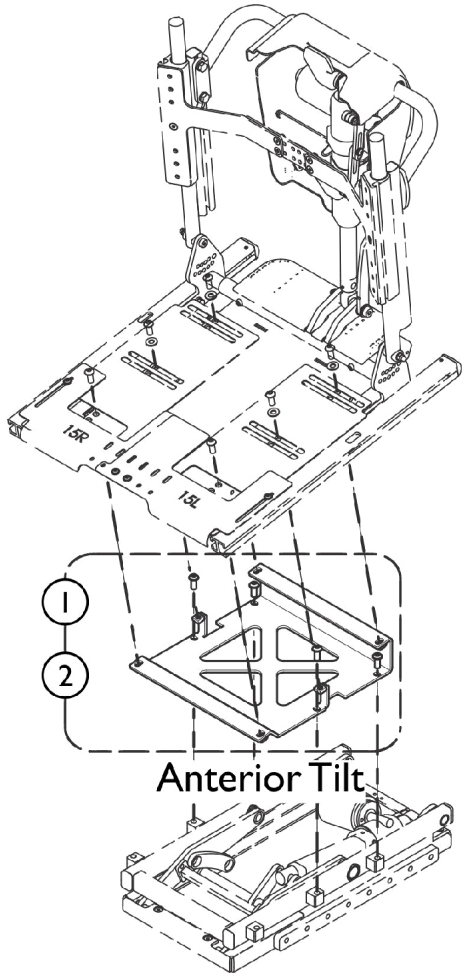
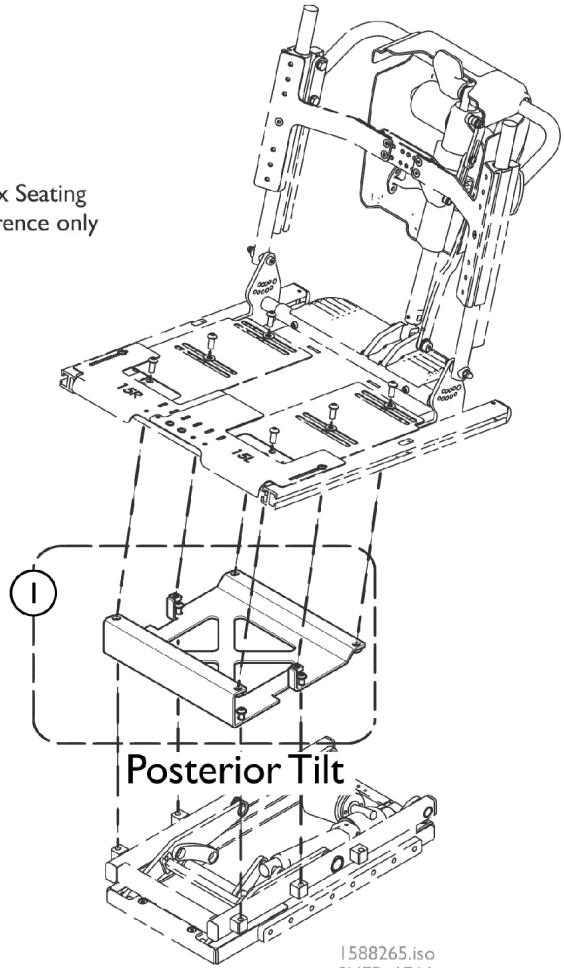


# Ultra Low Maxx - Anterior/Posterior Tilt (5FAA/ 5SA/ 10FAA)



Ultra Low Maxx Seating  
shown for reference only



1588265.iso  
SHEP\_176A

## Ultra Low Maxx - Anterior/Posterior Tilt (5FAA/ 5SA/ 10FAA)

Item Number	Note	Part Number	Description	Quantity Per	
				Package	Assembly
1		60102637	Kit, Pre-Tilt Mounting 5 Deg., Anterior/Posterior-Tilt	1	1
2		60102636	Kit, Pre-Tilt Mounting 10 Deg., Anterior-Tilt	1	1