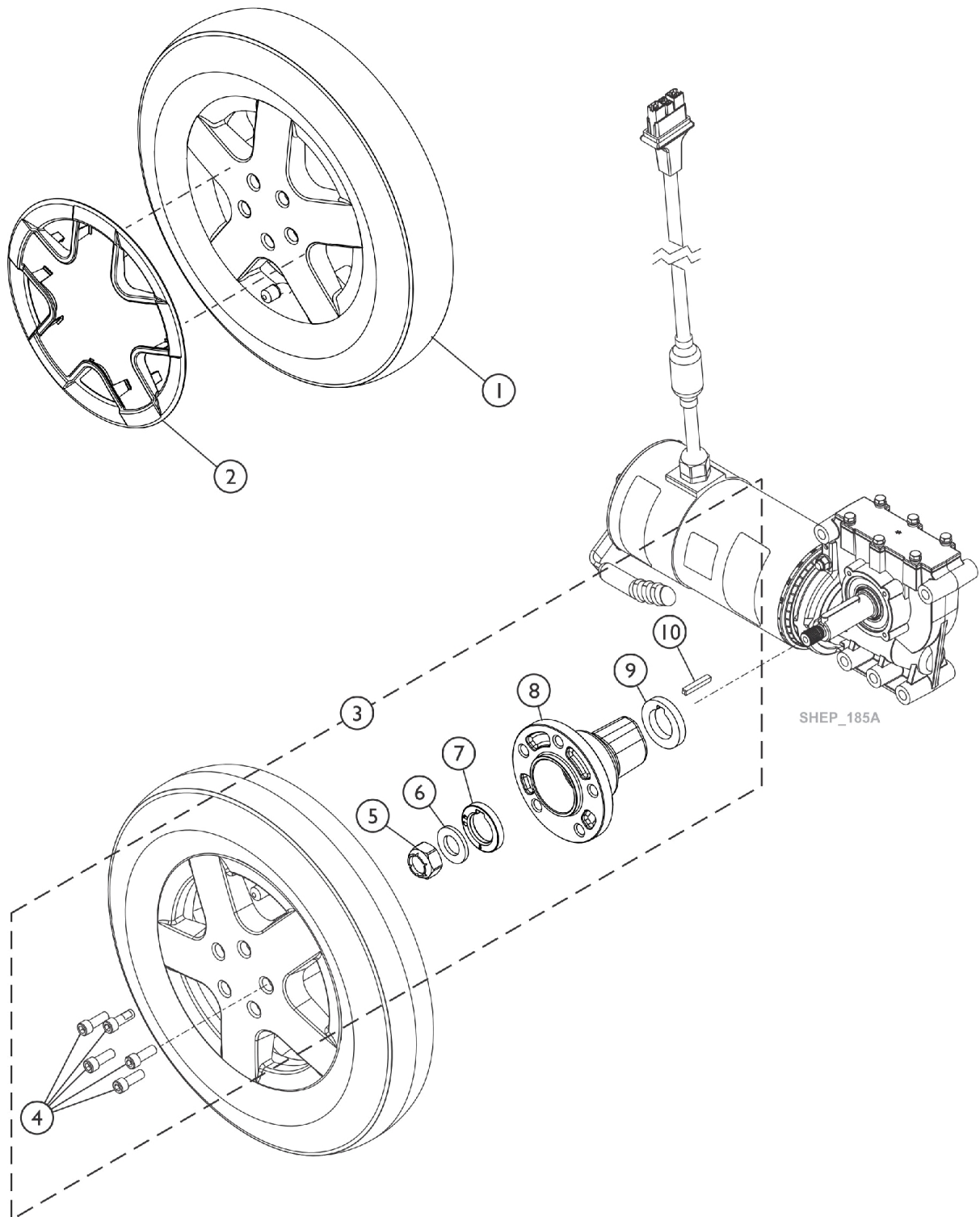


# Drive Wheels and Mounting Hardware (14" x 3")



## Drive Wheels and Mounting Hardware (14" x 3")

Item Number	Note	Part Number	Description	Quantity Per	
				Package	Assembly
1	A	60102669	Kit, Drive Wheel Assembly, Flat Free Gel Foam, Black Tire/Black Rim (14 x 3")	1	1
1	A	60102668	Kit, Drive Wheel Assembly, Pneumatic, Black Tire/Black Rim (14 x 3")	1	1
2		See Chart	#2 Drive Wheel Rim Insert (Colored)	1	1
2		See Chart	#2 Drive Wheel Rim Insert (Colored) continued	1	1
3	B	60103248	Kit, 4-Pole Motor Drive Wheel Mounting Hardware (14" x 3")	1	1
4			Screw, Socket Head w/ Patch (M8 x 1.25 x 25mm)	1	5
5			Locknut (M12 x 1.5)	1	1
6			Washer DIN 125-013 zc	1	1
7			Spacer, Hub (5mm)	1	1
8			Hub, Wheel (14" x 3")	1	1
9			Washer with Feather Nut	1	1
10			Key (6mm x 6mm x 40mm)	1	1

NOTE: A - Drive Wheel Assemblies are sold as complete assemblies only.  
 B - Includes items 4-10.

### #2 Drive Wheel Rim Insert (Colored)

Description	Black Ice Glossy 163P-R	Rockstar Red 154P-R	Tangy Orange 155P-R	Monster Green 156P-R	Island Blue 157P-R	Lights Out Black Matte 158P-R	Whiteout 159P-R
Drive Wheel Rim Insert	60102708	60102706	60102703	60102702	60102700	60102705	60102704

### #2 Drive Wheel Rim Insert (Colored) continued

Description	Invacare Blue 160P-R	Grape Jellybean 161P-R	SpaceStation Silver 162P-R
Drive Wheel Rim Insert	60102707	60102701	60102699