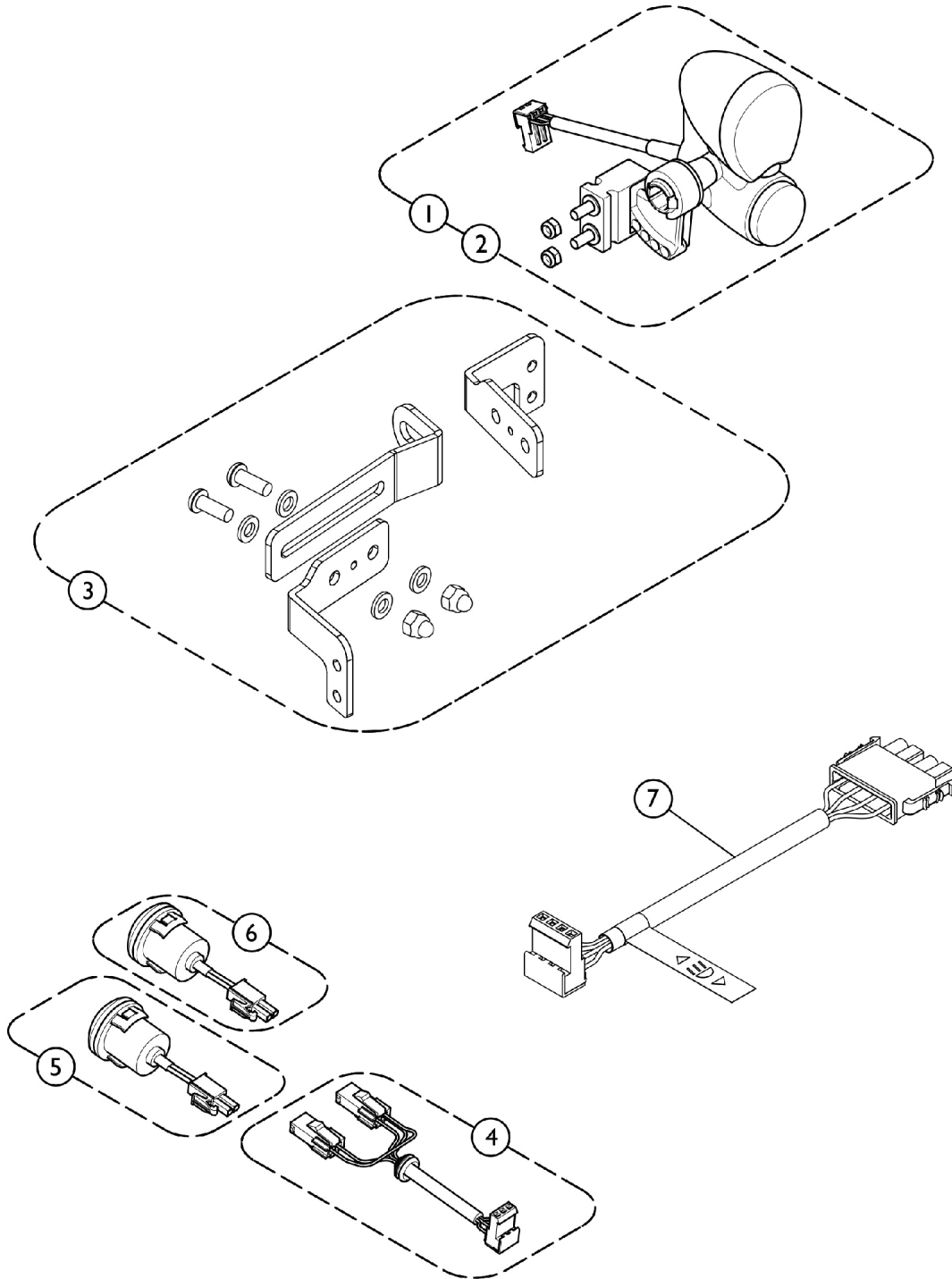


Light System LED

NOTE: Wheelchairs originally ordered without lights cannot be retrofitted in the field. To add lights the wheelchair must be returned to Invacare under Mechanical Repair.



Light System LED

NOTE: Wheelchairs originally ordered without lights cannot be retrofitted in the field. To add lights the wheelchair must be returned to Invacare under Mechanical Repair.

Item Number	Note	Part Number	Description	Quantity Per	
				Package	Assembly
1		60102602	Kit, Front Light, LED - Right	1	1
2		60102603	Kit, Front Light, LED - Left	1	1
3	A	60103249	Kit, Light Bracket Assembly, Right or Left	1	1
4		60102601	Kit, Cable, Rear Light LED	1	2
5		60102600	Kit, Rear Light	1	2
6		60102599	Kit, Turn Indicator	1	2
7		60102533	Kit, Light Cable Assembly	1	1
			Light Cable Assembly	1	1
			Sheet, Insert Parts Service	1	1

NOTE: A - Accommodates Right or Left side only. When replacing the hardware for both sides, order 2 ea. of item #3.