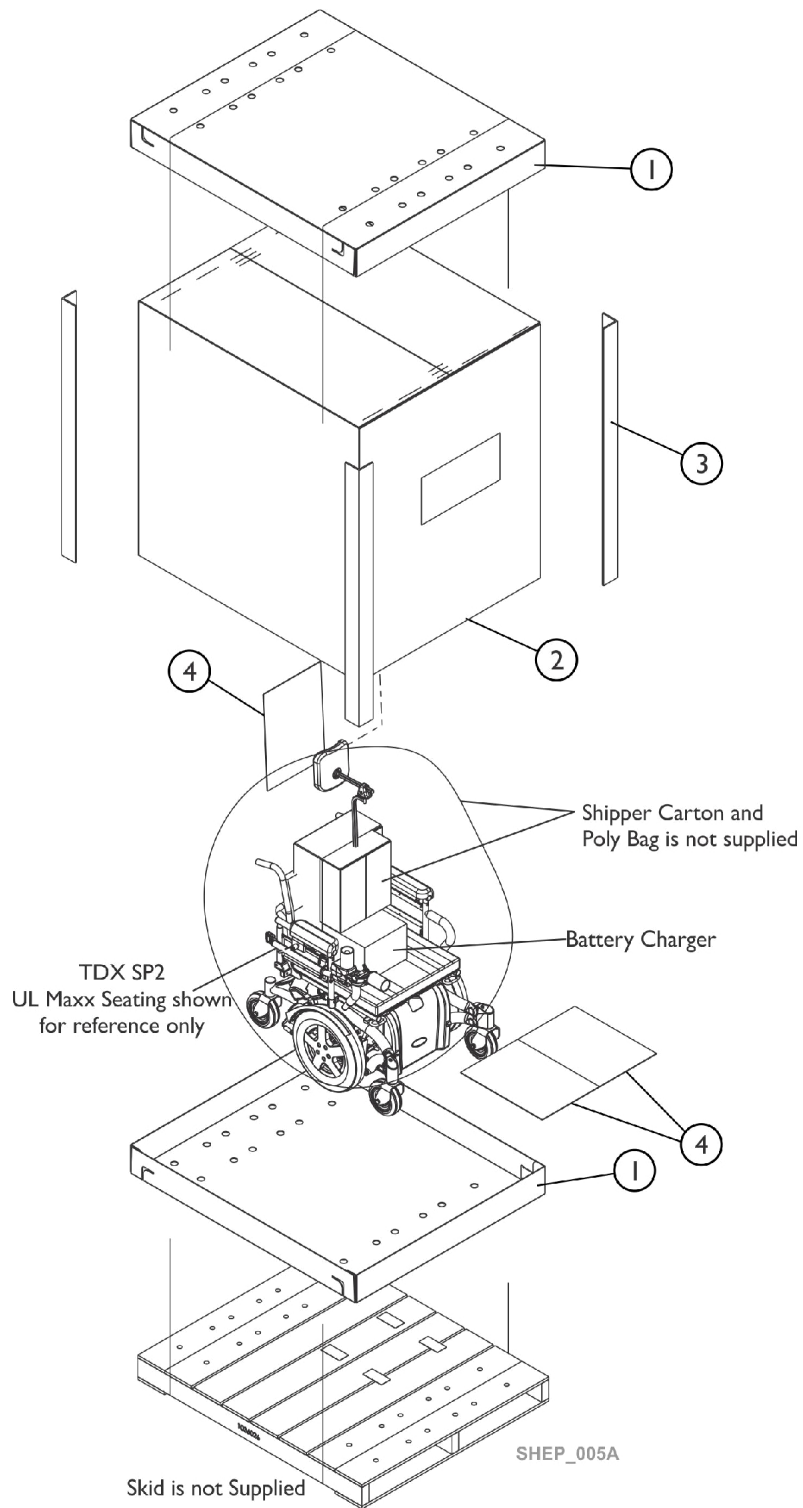


Packaging, Literature and Decals



Packaging, Literature and Decals

Item Number	Note	Part Number	Description	Quantity Per	
				Package	Assembly
1		1036027	Carton, Tray	1	2
2		1036028	Carton, Cover	1	1
3		1129590	Carton, Corner Reinforcement	1	4
4		40131X161	Insert, Plain Pad	1	3
	A,B	1183488	Decal, TDX SP2 - Left	1	1
	A,B	1183489	Decal, TDX SP2 - Right	1	1

NOTE: A - Not Shown
 B - Model Decal attaches to the Colored Bezel Shroud Assembly.

When adjusting or replacing parts, please refer to your Owner's Manual for assistance. The following Owner's Manuals can be found at www.invacare.com/homecare under Literature Search for the following: Part #60101831 TDX SP2 Power Base, #60101832 Ultra Low Maxx by Motion Concepts Modular Positioning System, #60101833 LiNX Control System REM500 Remote, #60101834 LiNX Control System REM400 Touch Screen Remote, #60101835 LiNX Control System Non-Expandable/Expandable Remotes.