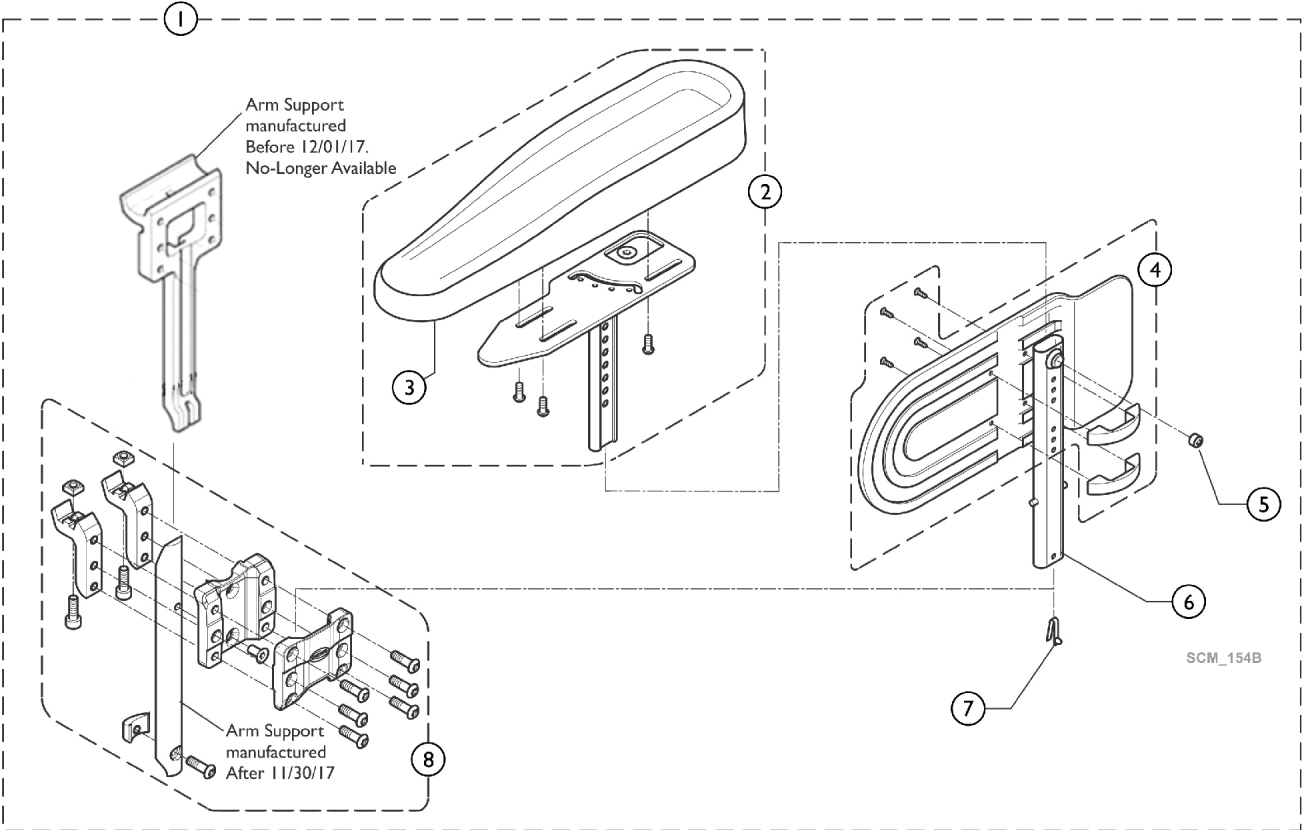


Armrest, Adjustable - Standard Hemi Dartex (ATHA)



Armrest, Adjustable - Standard Hemi Dartex (ATHA)

Item Number	Note	Part Number	Description	Quantity Per	
				Package	Assembly
1	A	SP1645578	Hemi Armrest, T-Style, Multiposition - Left	1	1
1	A	SP1645579	Hemi Armrest, T-Style, Multiposition - Right	1	1
2		SP1493220	Hemi Dartex Armpad Complete - Left	1	1
2		SP1493219	Hemi Dartex Armpad Complete - Right	1	1
3		SP1493251	Hemi Dartex Armpad	1	1
4		SP1430425	Guard, Clothing Hardware for Hemi Dartex Arm	1	1
5		SP5106533	Screw, Locking (M12 X 10)	1	1
6		SP1443058	Tube, Lowest Arm Rest Tube, Hemi Dartex Arm	1	1
7		SP0027-10003	Spring Pin Locked Armrest	1	1
8	B	SP1606666	Support, Armrest, Plastic	1	1

NOTE: A - Includes items 2-8.
 B - Item 8 was revised 12/01/17. It is recommended to order (2) ea. of part number SP1606666 for wheelchairs manufactured Before 12/01/17 to match.