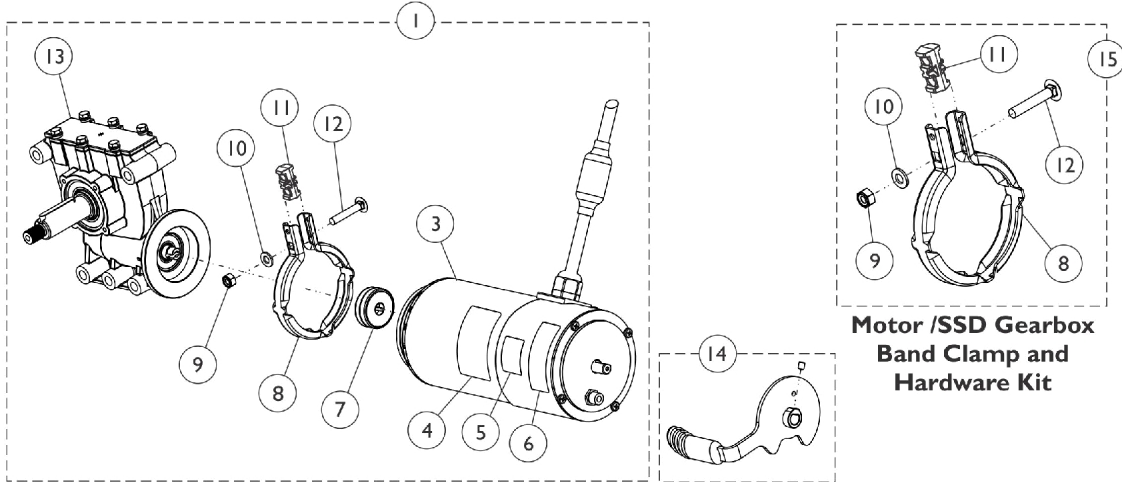


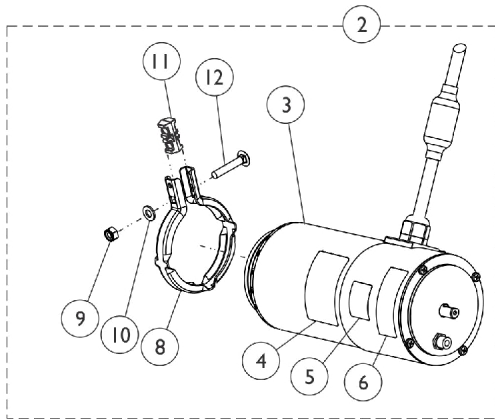
# 4-Pole Motors and SSD Gearboxes For MK6i Electronics

## For MK6i Electronics (US and Canada After 8/29/17)

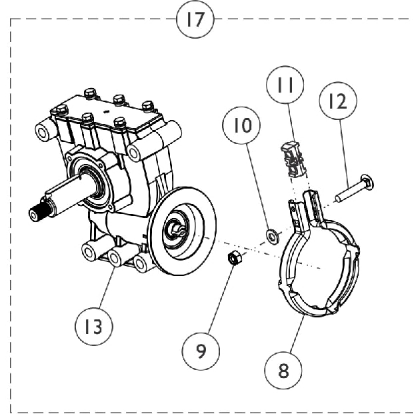
The Motor Spacer Plate is no longer used as of 07/11/11. Material was added to the SSD Gearbox around the 5 mounting holes on the output side eliminating the Spacer Plate. Replacement Motor Brush and Cap is not available for these 4-Pole motors listed.



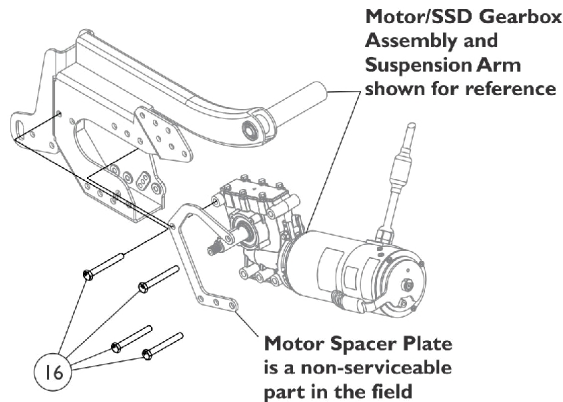
**4-Pole Motor/SSD Gearbox Assembly**



**4-Pole Motor Assembly**



**SSD Gearbox Assembly**



# 4-Pole Motors and SSD Gearboxes For MK6i Electronics

## For MK6i Electronics (US and Canada After 8/29/17)

The Motor Spacer Plate is no longer used as of 07/11/11. Material was added to the SSD Gearbox around the 5 mounting holes on the output side eliminating the Spacer Plate. Replacement Motor Brush and Cap is not available for these 4-Pole motors listed.

### Torque SP w/ (PERF) (Std.)

Item Number	Description	(PERF) Torque SP (Std.) Right Side	(PERF) Torque SP (Std.) Left Side
		See Note(s) A	See Note(s) A
1.	Kit, 4-Pole High Speed Motor/18:1 SSD Gearbox Assembly	1195942 See Note(s) B, H	1195943 See Note(s) B, H
2.	Kit, Motor Assembly, 4-Pole High Speed	1195983 See Note(s) H, C	1195983 See Note(s) C, H
7.	Package, Coupling/Cup Assembly (Pkg. of 10)	1168883	1168883
14.	Kit, Brake Lever Assembly w/ Set Screw, 4-Pole Motor (Pair)	1169004 See Note(s) E	1169004 See Note(s) E
Not Shown	Screw, Set Socket Cup Point w/ Patch (M5 x .8 x 6mm)	1168665-NLA See Note(s) J	1168665-NLA See Note(s) J
15.	Kit, Motor/SSD Gearbox Band Clamp and Hardware	1168884 See Note(s) F	1168884 See Note(s) F
16.	Package, Screw, Hex Head w/ Patch (M8 x 1.25 x 60mm) (Pkg. of 4)	1169645	1169645
17.	Kit, SSD Gearbox Assembly, 18:1	1179219 See Note(s) H, D	1179220 See Note(s) H, D
Not Shown	Package, Grease, Super Lube (1cc Tube) (Pkg. of 10)	1180609 See Note(s) I	1180609 See Note(s) I
Not Shown	Cap, Brake Lever End	1101725	1101725
Not Shown	Package, Cap, Brake Lever End (Pkg. of 10)	1130584	1130584

NOTE: A - Performance package (PERF) provides a 6.5 MPH rating.  
 B - Includes items 3-13, Super Lube Grease and Instruction Sheet. NOTE: Brake Lever Item #14 is "not" included.  
 C - Includes items 3-6, 8-12, Super Lube Grease and Instruction Sheet. The Motor can be used on the right or left side of the wheelchair. NOTE: Brake Lever Item #14 is "not" included.  
 D - Includes items 8-13, Super Lube Grease and Instruction Sheet.  
 E - Brake Lever Assembly sold as a pair that includes the right and left side Brake Levers, (2) ea. Brake Lever End Caps, (2) ea. Set Screws - see part #1168665 to order separately. Brake Lever End Cap can be sold separately. See part # 1101725.  
 F - Includes items 8-12.  
 H - Before placing an order, it is recommended to call Invacare's Technical Service Department at (1-800-832-4707) to verify if the Motor, SSD Gearbox or the Motor/SSD Gearbox Assembly is needed.  
 I - Super Lube Grease is applied to the Gearbox Output Shaft.  
 J - Use part #1168665 Screw, Set Socket Cup Point w/ Patch (M5 x .8 x 6mm) to hold item #13 Brake Lever in place.

# 4-Pole Motors and SSD Gearboxes For MK6i Electronics

## For MK6i Electronics (US and Canada After 8/29/17)

The Motor Spacer Plate is no longer used as of 07/11/11. Material was added to the SSD Gearbox around the 5 mounting holes on the output side eliminating the Spacer Plate. Replacement Motor Brush and Cap is not available for these 4-Pole motors listed.

### Torque 3 (Std.)

Item Number	Description	Torque 3 (Std.) Right Side	Torque 3 (Std.) Left Side
1.	Kit, 4-Pole Low Speed Motor/18:1 SSD Gearbox Assembly	1195940 See Note(s) A, G	1195941 See Note(s) G, A
2.	Kit, Motor Assembly, 4-Pole Low Speed	1195984 See Note(s) B, G	1195984 See Note(s) G, B
7.	Package, Coupling/Cup Assembly (Pkg. of 10)	1168883	1168883
14.	Kit, Brake Lever Assembly w/ Set Screw, 4-Pole Motor (Pair)	1169004 See Note(s) D	1169004 See Note(s) D
Not Shown	Screw, Set Socket Cup Point w/ Patch (M5 x .8 x 6mm)	1168665-NLA See Note(s) I	1168665-NLA See Note(s) I
15.	Kit, Motor/SSD Gearbox Band Clamp and Hardware	1168884 See Note(s) E	1168884 See Note(s) E
16.	Package, Screw, Hex Head w/ Patch (M8 x 1.25 x 60mm) (Pkg. of 4)	1169645	1169645
17.	Kit, SSD Gearbox Assembly, 18:1	1179219 See Note(s) C, G	1179220 See Note(s) G, C
Not Shown	Package, Grease, Super Lube (1cc Tube) (Pkg. of 10)	1180609 See Note(s) H	1180609 See Note(s) H
Not Shown	Cap, Brake Lever End	1101725	1101725
Not Shown	Package, Cap, Brake Lever End (Pkg. of 10)	1130584	1130584

NOTE: A - Includes items 3-13, Super Lube Grease and Instruction Sheet. NOTE: Brake Lever Item #14 is "not" included.  
 B - Includes items 3-6, 8-12, Super Lube Grease and Instruction Sheet. The Motor can be used on the right or left side of the wheelchair. NOTE: Brake Lever Item #14 is "not" included.  
 C - Includes items 8-13, Super Lube Grease and Instruction Sheet.  
 D - Brake Lever Assembly sold as a pair that includes the right and left side Brake Levers, (2) ea. Brake Lever End Caps, (2) ea. Set Screws - see part #1168665 to order separately. Brake Lever End Cap can be sold separately. See part # 1101725.  
 E - Includes items 8-12.  
 G - Before placing an order, it is recommended to call Invacare's Technical Service Department at (1-800-832-4707) to verify if the Motor, SSD Gearbox or the Motor/SSD Gearbox Assembly is needed.  
 H - Super Lube Grease is applied to the Gearbox Output Shaft.  
 I - Use part #1168665 Screw, Set Socket Cup Point w/ Patch (M5 x .8 x 6mm) to hold item #13 Brake Lever in place.