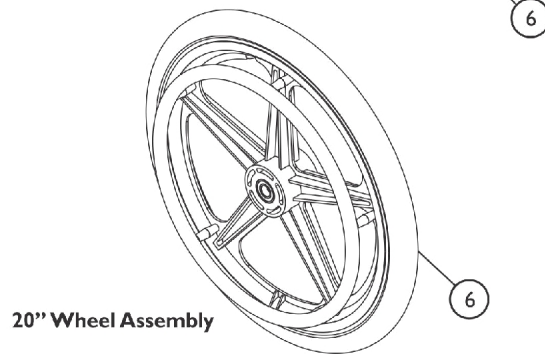
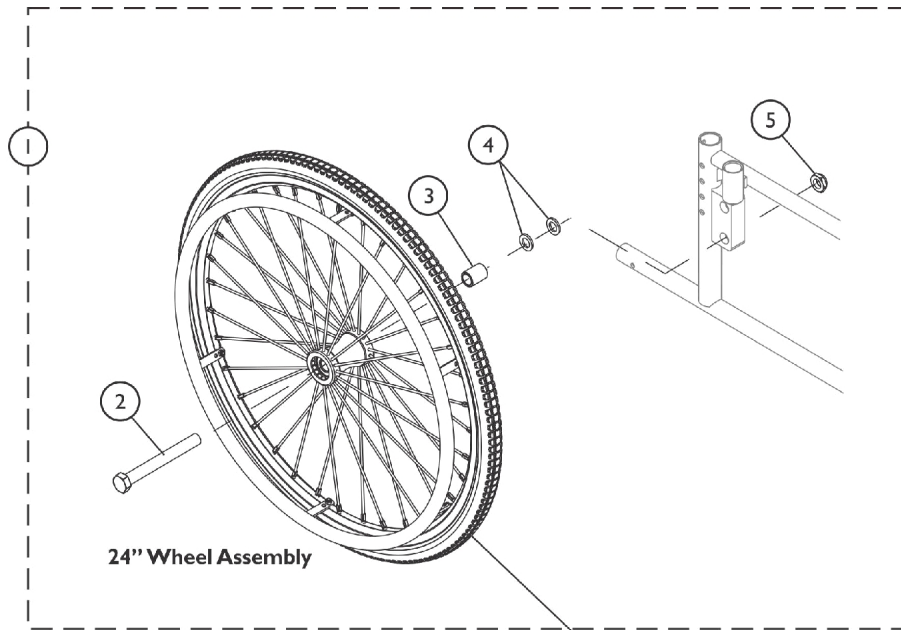


# Rear Wheel and Hardware



## Rear Wheel and Hardware

Item Number	Note	Part Number	Description	Quantity Per	
				Package	Assembly
1	A	1185261	Kit, Hardware, Rear Wheel	1	1
2			Screw, Hex Head (5/8-18 x 5-1/2")	1	1
3			NLA - Spacer	1	1
4			Washer (5/8 x 7/8 x 1/8")	1	2
5			Locknut (5/8-18)	1	1
6	C,G,B	1098816-NLA	NLA - Kit, Wheel Assembly, Composite Pneumatic w/ Flat Free Insert (20")	1	2
6	C,H,B	1194432	Kit, Wheel Assembly, Composite Pneumatic w/ Flat Free Insert (20")	1	2
6	C,D,E	1175516	Kit, Wheel Assembly, Spoked Urethane (24") (Pair)	2	1
6	C,D,F	1123894	Kit, Wheel Assembly, Spoked Urethane (24") (Pair)	2	1

NOTE: A - Includes Items 2 - 4. Quantities are for one side of chair only and used for ALL rear wheel options..  
 B - For 15-1/2" Seat to Floor height and 6" Casters.  
 C - Wheel Assembly includes Tires, Bearings, Spacers, Handrim, and Handrim Hardware.  
 D - For 17-1/2" or 19-1/2" Seat to Floor Height and 8" Casters.  
 E - For 700 pound wheelchair capacity only.  
 F - For 1000 pound wheelchair capacity only.  
 G - To order Wheel Assembly Kit with Silver Powder Coating Aluminum Handrim order part number 1098816.  
 H - To order Wheel Assembly Kit with Chrome Steel Handrim order part number 1194432.