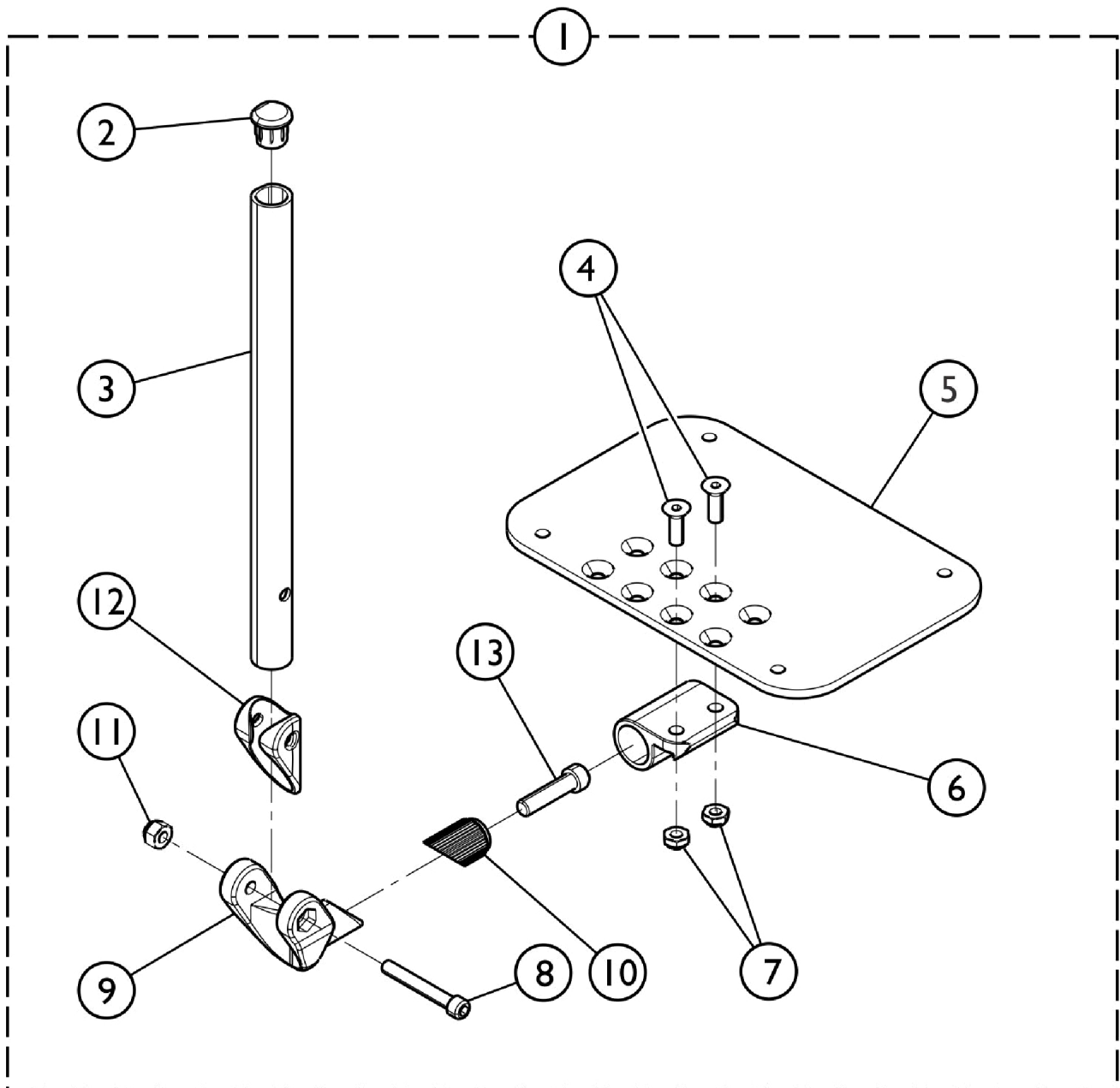


Adjustable Angle Footplate Assemblies AT5543 For AT5044



Used on Wedge Style Elevating Legrests (AT5044)

SCM_438A

Adjustable Angle Footplate Assemblies AT5543 For AT5044

Item Number	Note	Part Number	Description	Quantity Per	
				Package	Assembly
1	A	See Chart	#15 Wedge Style AT5044 Elevating Legrests	1	1
2		1134427	Package, Plug Button, Black, "D" Shaped (3/4")	10	1
3		1134433	Pivot/Slide Tube w/ D Insert, Black	1	1
3		1134432	Pivot/Slide Tube w/ D Insert, Black (2" Longer)	1	1
4		1113578	Screw, Socket Flat Head (1/4-28 x 3/4")	1	2
5		1113573	Footplate, Adjustable Angle, Large, Black (5-1/4" W x 8" L)	1	1
5		1113574	Footplate, Adjustable Angle, Extra Large, Black (6-1/4" W x 8" L)	1	1
5		1113575	Footplate, Adjustable Angle, XX- Large, Black (7-1/4" W x 8" L)	1	1
6		1113528	Bracket, Adjustable Angle Footplate, Black	1	1
7		1025765	Locknut (1/4-28)	1	2
8		1096810	Screw, Socket Head (1/4-28 x 1-3/4")	1	1
9		1113529	Hinge, Adjustable Angle Footrest	1	1
10		1113530	Attachment, Hinge	1	1
11		1065362	Locknut (1/4-28)	1	1
12		1114688	Spacer, Hinge, Black	1	1
13		1021344	Screw, Socket Head (5/16-18 x 1-1/2")	1	1

NOTE: A - Includes items 2-13.

#1 Adjustable Angle Footplates w/ Pivot Tubes

Wedge Style AT5044 Elevating Legrests

Straight Slide Tube (10-1/4")	Right	Left	ALPT Straight Slide Tube (12-1/4")	Right	Left
14" - 15" Wide (5-1/4" Footplate)	1132061	1132062	14" - 15" Wide (5-1/4" Footplate)	1132089	1132090
16" - 17" Wide (6-1/4" Footplate)	1132063	1132064	16" - 17" Wide (6-1/4" Footplate)	1132091	1132092
18" - 24" Wide (7-1/4" Footplate)	1132065	1132066	18" - 24" Wide (7-1/4" Footplate)	1132093	1132094