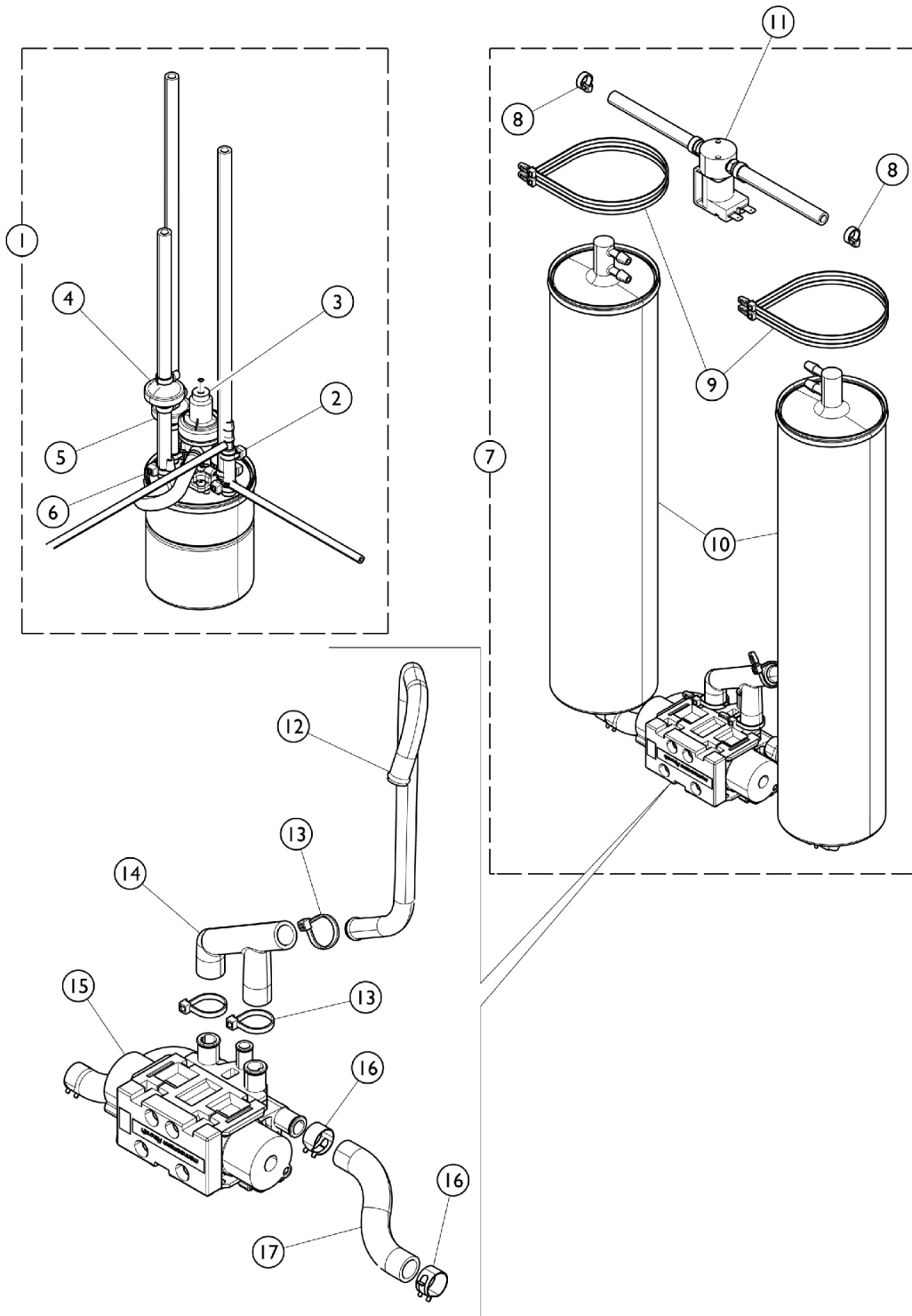


Sieve Bed Assembly and Product Tank

PerfectoW



Sieve Bed Assembly and Product Tank

PerfectoW

Item Number	Note	Part Number	Description	Quantity Per	
				Package	Assembly
1	A	1161712-NLA	NLA - Product Tank Assembly	1	1
1	B	1182226	Product Tank Assembly w/ Senso2 Regulator	1	1
2		2001682	Tie Wrap (8" L)	1	3
3	A,C	1182123	Kit, Regulator and Adaptor, No-Bleed Regulator	1	1
			Regulator/Adaptor Assembly, No-Bleed Regulator	1	1
			Screw, Socket Button Head Cap, Regulator (8-32 x 3/8")	1	4
			NLA - O-Ring (11/64" I.D.)	1	2
3	B,D	1182500	Kit, Regulator/Adaptor w/ Bled Adaptor, Foam Mount and Check Valve Assy.	1	1
			Kit, Regulator and Adaptor w/ Bled Regulator	1	1
			Mount, Foam Product Tank	1	1
			Check Valve Assembly (14-1/2")	1	1
			Tie Wrap (17-1/2" L)	1	1
			Tie Wrap (8" L)	1	2
			Instruction Sheet, Contents and Application	1	1
4	E	1143544	Check Valve Assembly (9")	1	1
5	F	1182170	Check Valve Assembly (14-1/2")	1	1
6		1006525	Tie Wrap (3-29/32" L)	1	3
7	G,M	1161257	Kit, Sieve Beds (Pair)	1	1
8			Tie Wrap (8" L)	1	2
9			Tie Wrap (17-1/2" L)	1	4
10			Sieve Bed Assembly	1	2
8		2001682	Tie Wrap (8" L)	1	2
9		1018239	Tie Wrap (17-1/2" L)	1	4
11		1143578	PE Valve Assembly	1	1
11		1149649	Kit, PE Valve w/ Fittings	1	1
			Valve, PE w/ Restrictor (24V Coil)	1	1
			NLA - Fitting, Barb (1/4 x 1/8")	1	2
12		1143447	Tube, Exhaust	1	1
13		2001682	Tie Wrap (8" L)	1	3
14		1143446	Tube, F	1	1
15	H	1143556-NLA	NLA - Tech Only - Manifold/Valve Assembly	1	1
	I	1101141	Kit, 4-Way Valve w/ Screws	1	1
	J	2003052	Valve, Operator Pilot	1	1
		1085112	O-Ring, Pilot Valve (35/64" I.D.)	1	1
16	K	1160798-NLA	NLA - Clamp, Hose Spring (1/2")	1	4
16		P0876X026	Clamp, Hose	1	4
17		1188708	Tube, Polyurethane, Preformed (1/2")	1	2

Sieve Bed Assembly and Product Tank PerfectoW

NOTE: A - Use with PW Models.
B - Use with PO2W Models.
C - Kit includes the Regulator/Adaptor Assembly, Screws, and O-Rings.
D - Kit includes Regulator/Adaptor Assembly, Product Tank Foam Mounting, Check Valve Assembly, Instruction Sheet, and Tie Wraps.
E - Includes Valve, (2) Tie Wraps, 6" Tubing and 3" Tubing.
F - Includes Valve, (2) Tie Wraps, 10" Tubing and 4-1/2" Tubing.
G - Includes items 8 - 10.
H - Includes 4 Way Valve w/ Screws, Pilot Valve O-Ring, Air Manifold, and Operator Pilot Low Power Valve.
I - Includes 4 Way Valve w/ Screws only.
J - A new Pilot Valve O-Ring (1085112) is recommended when ordering 2003052.
K - No Longer Available. Use part #P0876X026 as a replacement.
M - May contain reactivated sieve.