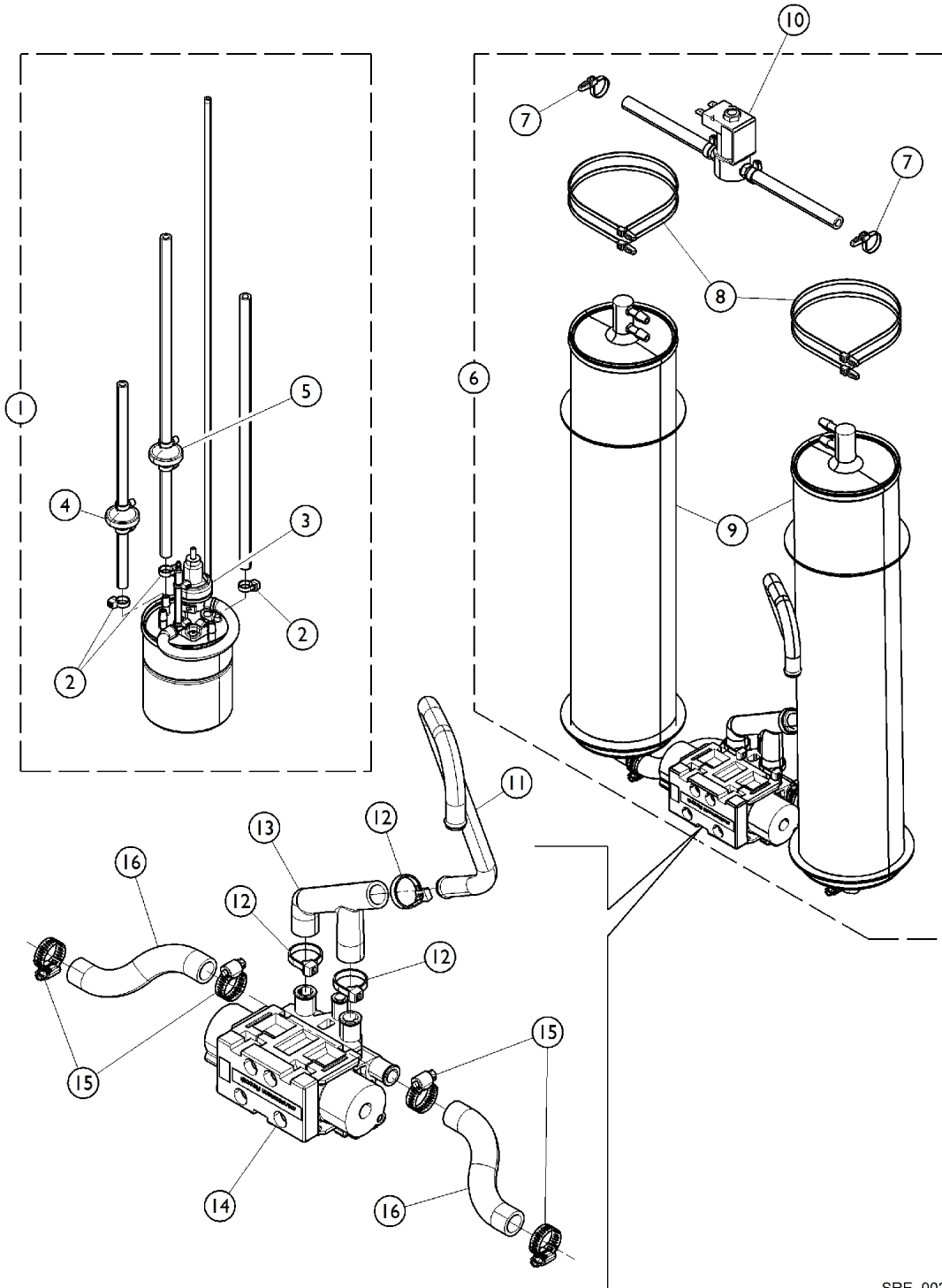


# Sieve Bed Assembly and Product Tank

## Perfecto2



# Sieve Bed Assembly and Product Tank

## Perfecto2

Item Number	Note	Part Number	Description	Quantity Per	
				Package	Assembly
1		1159071	Product Tank Assembly w/o SensO2 Regulator	1	1
1		1182228	Product Tank Assembly w/ SensO2 Regulator	1	1
2		2001682	Tie Wrap (8" L)	1	3
3	A	1182123	Kit, Regulator and Adaptor, No-Bleed Regulator	1	1
			Regulator/Adaptor Assembly, No-Bleed Regulator	1	1
			Screw, Socket Button Head Cap, Regulator (8-32 x 3/8")	1	4
			NLA - O-Ring (11/64" I.D.)	1	2
3	B	1182500	Kit, Regulator/Adaptor w/ Bled Adaptor, Foam Mount and Check Valve Assy.	1	1
			Kit, Regulator and Adaptor w/ Bled Regulator	1	1
			Mount, Foam Product Tank	1	1
			Check Valve Assembly (14-1/2")	1	1
			Tie Wrap (17-1/2" L)	1	1
			Tie Wrap (8" L)	1	2
			Instruction Sheet, Contents and Application	1	1
4	C	1143544	Check Valve Assembly (9")	1	1
5	D	1182170	Check Valve Assembly (14-1/2")	1	1
6	E,I	1161257	Kit, Sieve Beds (Pair)	1	1
7			Tie Wrap (8" L)	1	2
8			Tie Wrap (17-1/2" L)	1	4
9			Sieve Bed Assembly	1	2
7		2001682	Tie Wrap (8" L)	1	2
8		1018239	Tie Wrap (17-1/2" L)	1	4
10		1143578	PE Valve Assembly	1	1
10		1149649	Kit, PE Valve w/ Fittings	1	1
			Valve, PE w/ Restrictor (24V Coil)	1	1
			NLA - Fitting, Barb (1/4 x 1/8")	1	2
11		1143447	Tube, Exhaust	1	1
12		2001682	Tie Wrap (8" L)	1	3
13		1143446	Tube, F	1	1
14	F	1143556-NLA	NLA - Tech Only - Manifold/Valve Assembly	1	1
	G	1101141	Kit, 4-Way Valve w/ Screws	1	1
	H	2003052	Valve, Operator Pilot	1	1
		1085112	O-Ring, Pilot Valve (35/64" I.D.)	1	1
15		P0876X026	Clamp, Hose	1	4
16		1188708	Tube, Polyurethane, Preformed (1/2")	1	2

NOTE: A - Used with Product Tank Assembly (1159071), Kit includes the Regulator and Adaptor Assembly, (4) Screws, (2) O-Rings  
 B - Used with Product Tank Assembly (1182228), Kit includes Regulator and Adaptor Assembly, Foam Product Tank Mount, Check Valve Assembly, Instruction Sheet, and Tie Wraps.  
 C - Includes (1) Valve, (2) Tie Wraps, (1) 6" Tubing and (1) 3" Tubing.  
 D - Includes (1) Valve, (2) Tie Wraps, (1) 10" Tubing and (1) 4-1/2" Tubing.  
 E - Includes items 7, 8, and 9.  
 F - Includes (1) 4 Way Valve w/ Screws, (1) Pilot Valve O-Ring, (1) Air Manifold, (1) Operator Pilot Low Power Valve.  
 G - Includes the 4 Way Valve w/ Screws.  
 H - A new Pilot Valve O-Ring (1085112) is recommended when ordering 2003052.  
 I - May contain reactivated sieve.