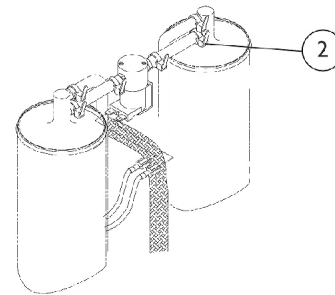
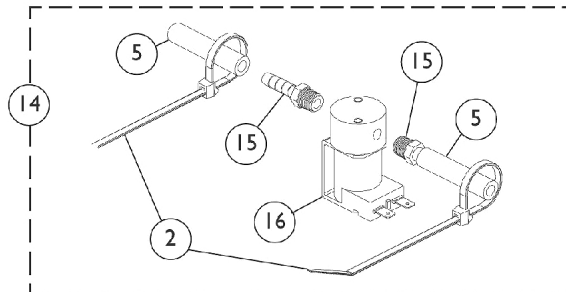
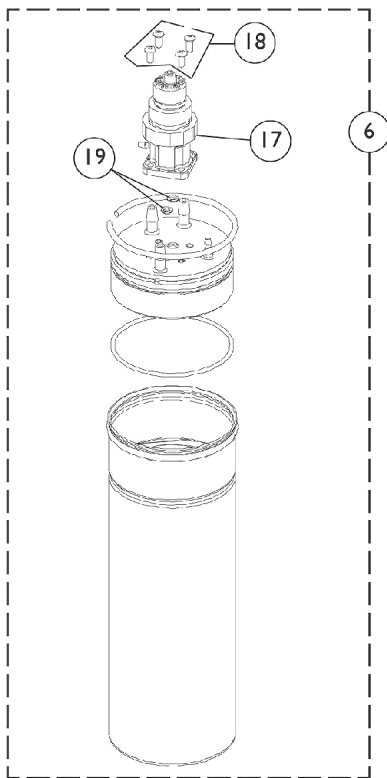
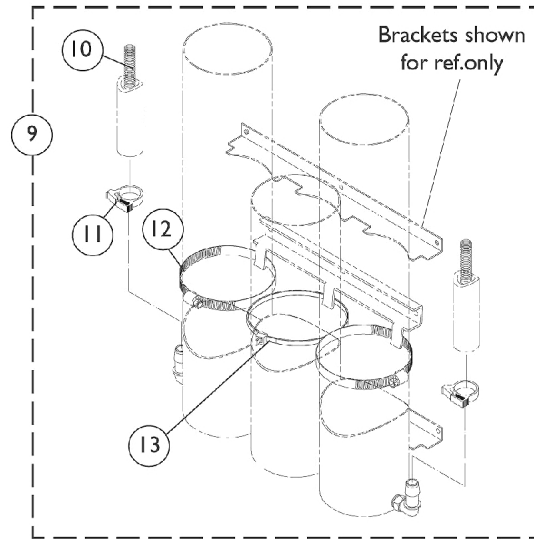
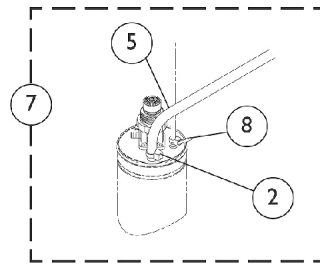
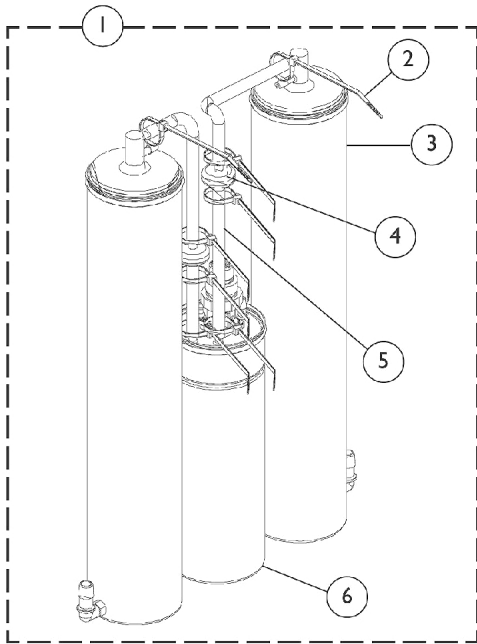


Sieve Bed Assembly and Product Tank

Non Platinum 5 Models



Sieve Bed Assembly and Product Tank Non Platinum 5 Models

Item Number	Note	Part Number	Description	Quantity Per	
				Package	Assembly
1	A	1102839-NLA	NLA - Sieve Bed/Product Tank Assembly (IRC5LX)	1	1
1	A,N	1102838-NLA	NLA - Sieve Bed/Product Tank Assembly (IRC5LX02)	1	1
1	O,T	1101707	Sieve Bed Assembly (Pair)	1	1
2		2001682	Tie Wrap (8" L)	1	8
3	B,T	1101707	Sieve Bed Assembly (Pair)	2	1
4		2000436	Check Valve, Barb (5/16")	1	2
5		2000897	Tubing, Tygon (1/4 x 24")	1	1
6	C,R	1082588-NLA	NLA - Product Tank Assembly - IRC5LX	1	1
6		1114925-NLA	NLA - Product Tank Assembly - IRC5LX	1	1
6	C	1075665-NLA	NLA - Product Tank Assembly - IRC5LX02	1	1
6	C	1130681	Product Tank Assembly	1	1
7	D	1082587-NLA	NLA - Hardware, Product Tank Mounting - IRC5LX	1	1
7	D	1076216-NLA	NLA - Hardware, Product Tank Mounting - IRC5LX02	1	1
8		1070050	Tie Wrap (3-29/32" L)	1	2
9	E	2001806-NLA	NLA - Hardware, Sieve Bed/Product Tank Mounting	1	1
10		2002391-NLA	NLA - Spring, Compression (13/32 x 28")	1	2
11		2001652	Clamp, Plastic (1/2")	1	2
12		1002807	Clamp, Hose	1	2
13		1089455	Tie Wrap (15-1/4" L)	1	4
14	F	2001656	PE Valve Assembly w/ Fitting	1	1
	G,K	1080970	NLA - Kit, PE Coil Replacement	1	1
			Coil, PEI	1	1
			Kit, PE Coil/Valve Instruction Sheet	1	1
	K,L	1080972	Kit, PE Valve Stem and Poppet Replacement	1	1
			PE Valve Poppet and Stem	1	1
			Kit, PE Coil/Valve Instruction Sheet	1	1
	M	1149649	Kit, PE Valve w/ Fittings	1	1
15			NLA - Fitting, Barb (1/4 x 1/8")	1	2
16			Valve, PE w/ Restrictor (24V Coil)	1	1
17	S	1182123	Kit, Regulator and Adaptor, No-Bleed Regulator	1	1
			Regulator/Adaptor Assembly, No-Bleed Regulator	1	1
			Screw, Socket Button Head Cap, Regulator (8-32 x 3/8")	1	4
			NLA - O-Ring (11/64" I.D.)	1	2
17	S	1182024	Kit, Regulator and Adaptor w/ Bled Regulator	1	1
18		1075666	Screw, Socket Button Head Cap, Regulator (8-32 x 3/8")	1	4
19		2002590-NLA	NLA - O-Ring (11/64" I.D.)	1	2
	I,K	2001671	NLA - Kit, Pressure Gauge Tap In without Gauge	1	1
			NLA - Fitting, Tee Barb (1/4")	1	1
			NLA - Plug, Hose (1/4")	1	1
			NLA - Clamp (1/4")	1	4
			NLA - Tubing, Silicone (1/4 x 16")	1	1
			Instruction Sheet	1	1
	J,K,P	2001673-NLA	NLA - Kit, Pressure Gauge Tap In with Gauge	1	1

Sieve Bed Assembly and Product Tank Non Platinum 5 Models

Item Number	Note	Part Number	Description	Quantity Per	
				Package	Assembly
			NLA - Fitting, Tee Barb (1/4")	1	1
			NLA - Plug, Hose (1/4")	1	1
			NLA - Clamp (1/4")	1	4
			NLA - Tubing, Silicone (1/4 x 16")	1	1
			NLA - Kit, Pressure Gauge	1	1
			Instruction Sheet	1	1
		2001674-NLA	NLA - Kit, Pressure Gauge	1	1
<p>NOTE:</p> <ul style="list-style-type: none"> A - Includes items 2-6. B - Includes (2) Sieve Beds, (2) Clamps, (2) Hose Clamps and (4) Tie Wraps. C - Includes items 17-19. D - Includes items 2, 5 and 8. E - Includes items 10-13. F - Includes items 2, 5, 15 and 16. G - Includes PE Coil and Instruction Sheet. I - Includes Clamps, Tubing, Hose Plug, Fitting and Instruction Sheet. J - Includes Clamps, Tubing, Hose Plug, Fitting, Gauge and Instruction Sheet. K - Not Shown. L - Includes PE Valve Poppet and Instruction Sheet. M - Includes items 15-16. N - Item no longer available, refer to Part #1110783. O - Includes: (2) Sieve Beds, (4) Hose Clamps and (4) Tie Wraps. P - Item no longer available. Please order part #2001671 and 2001674 as a replacement. R - Item no longer available. Please order part #1114925 as a replacement. S - Kit includes the Regulator, Adaptor, Restrictor, Tubing, Screws, Cable Ties, and O-Rings. T - May contain reactivated sieve. 					