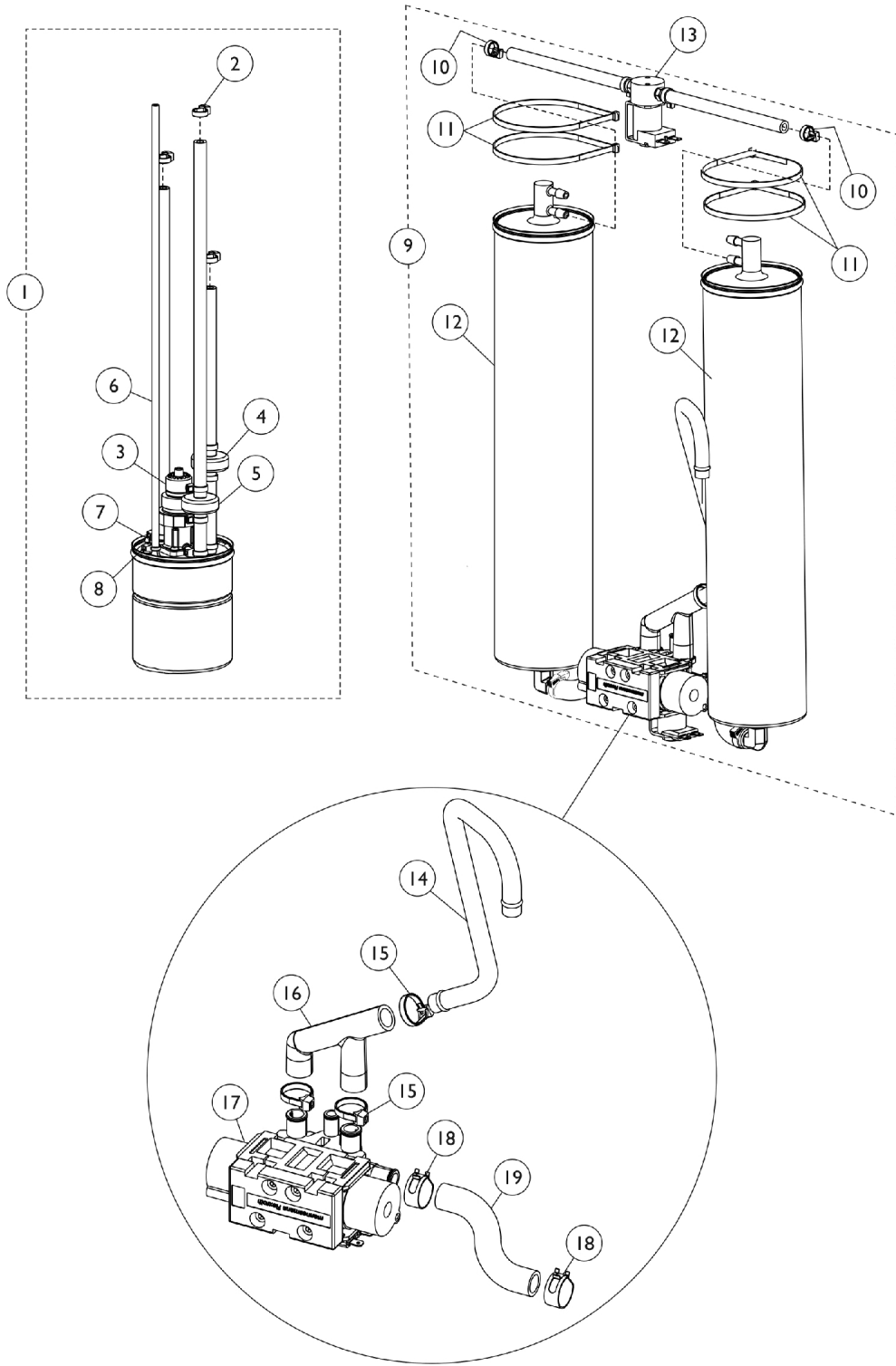


Sieve Bed Assembly and Product Tank Perfecto2AW



Sieve Bed Assembly and Product Tank

Perfecto2AW

Item Number	Note	Part Number	Description	Quantity Per	
				Package	Assembly
1		1182227	Product Tank Assembly w/ SensO2 Regulator	1	1
2		2001682	Tie Wrap (8" L)	1	3
3	G	1182500	Kit, Regulator/Adaptor w/ Bled Adaptor, Foam Mount and Check Valve Assy.	1	1
			Kit, Regulator and Adaptor w/ Bled Regulator Mount, Foam Product Tank	1	1
			Check Valve Assembly (14-1/2")	1	1
			Tie Wrap (17-1/2" L)	1	1
			Tie Wrap (8" L)	1	2
			Instruction Sheet, Contents and Application	1	1
4	A	1143544	Check Valve Assembly (9")	1	1
5	B	1182170	Check Valve Assembly (14-1/2")	1	1
6		1076275	Tubing, Tygon (1/8 x 18")	1	1
7		1157641	Restrictor, Teal	1	1
8		1070050	Tie Wrap (3-29/32" L)	1	3
9	C,J	1161257	Kit, Sieve Beds (Pair)	1	1
10			Tie Wrap (8" L)	1	2
11			Tie Wrap (17-1/2" L)	1	4
12			Sieve Bed Assembly	1	2
10		2001682	Tie Wrap (8" L)	1	2
11		1018239	Tie Wrap (17-1/2" L)	1	4
13		1143578	PE Valve Assembly	1	1
13		1149649	Kit, PE Valve w/ Fittings	1	1
			Valve, PE w/ Restrictor (24V Coil)	1	1
			NLA - Fitting, Barb (1/4 x 1/8")	1	2
14		1143447	Tube, Exhaust	1	1
15		2001682	Tie Wrap (8" L)	1	3
16		1143446	Tube, F	1	1
17	E	1143556-NLA	NLA - Tech Only - Manifold/Valve Assembly	1	1
	F	1101141	Kit, 4-Way Valve w/ Screws	1	1
	H	2003052	Valve, Operator Pilot	1	1
		1085112	O-Ring, Pilot Valve (35/64" I.D.)	1	1
18	D,I	1160798-NLA	NLA - Clamp, Hose Spring (1/2")	1	4
18		P0876X026	Clamp, Hose	1	4
19		1188708	Tube, Polyurethane, Preformed (1/2")	1	2

NOTE: A - Includes (1) Valve, (2) Tie Wraps, (1) 6" Tubing and (1) 3" Tubing.
 B - Includes (1) Valve, (2) Tie Wraps, (1) 10" Tubing and (1) 4-1/2" Tubing.
 C - Includes items 10-12
 D - Plastic Clamp replaced with a Spring Clamp 9/12/08
 E - Includes (1) Valve, 4-Way with Screws, (1) Pilot Valve O-Ring, (1) Air Manifold, (1) Operator Pilot Low Power Valve
 F - Includes the 4-Way Valve with Screws only
 G - Kit includes the Regulator, Adaptor, Restrictor, Mount, Check Valve Assembly, Tie Wraps and Instruction Sheet.
 H - A new Pilot Valve O-Ring part #1085112 is recommended when ordering 2003052.
 I - No Longer Available. Use part #P0876X026 as a replacement.
 J - May contain reactivated sieve.