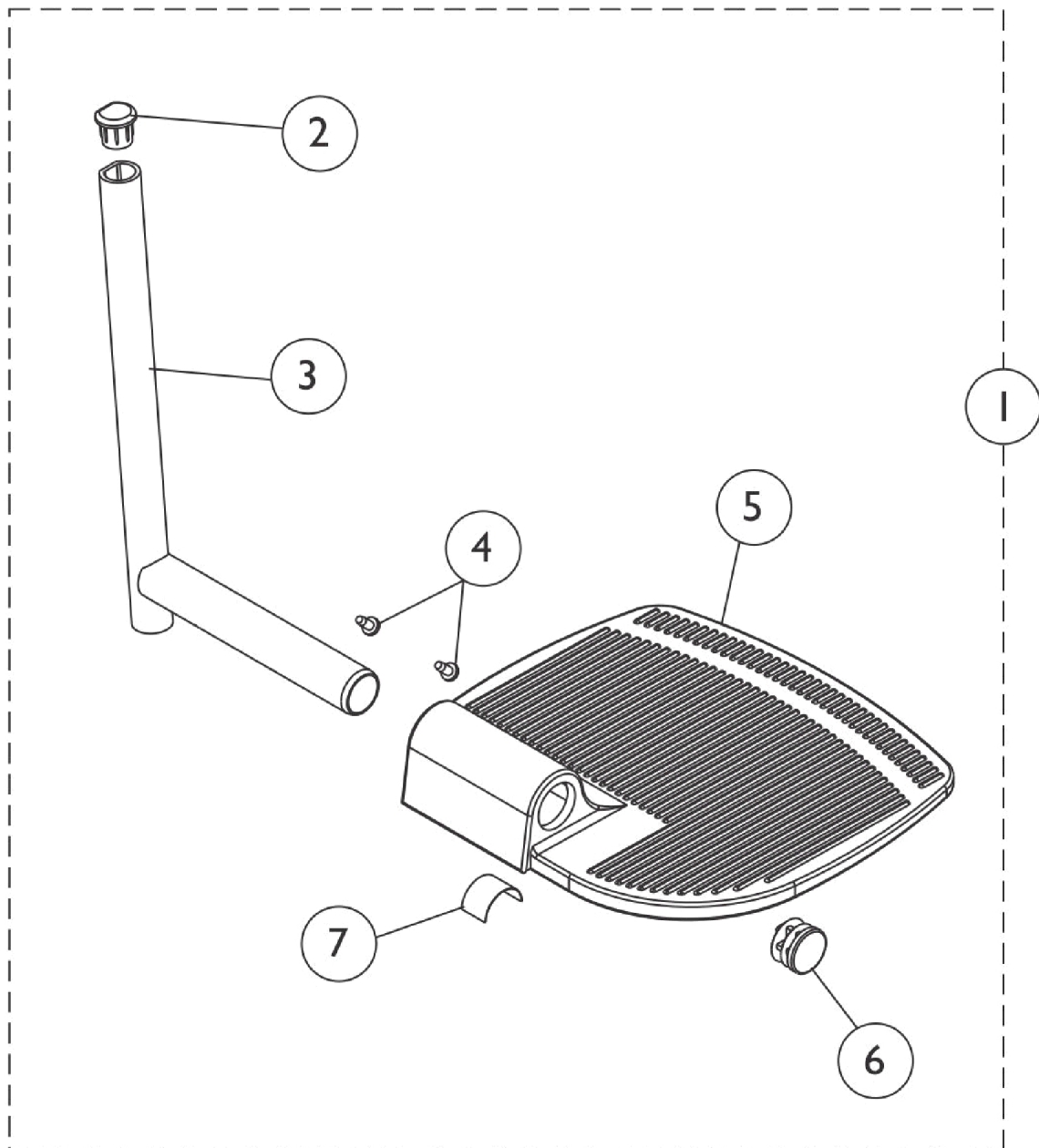


## Footplate and Pivot/Slide Tube Assemblies 1350 Extra Large Aluminum



**Used on Wedge Style AT5044 Elevating Legrests**

SCM\_437A

## Footplate and Pivot/Slide Tube Assemblies 1350 Extra Large Aluminum

Item Number	Note	Part Number	Description	Quantity Per	
				Package	Assembly
1	A	See Chart	#9 Pivot/Slide Tube w/ Extra Large Aluminum Footplate Assembly	1	1
2		1134427	Package, Plug Button, Black, "D" Shaped (3/4")	10	1
3		1134431	Pivot/Slide Tube w/ Plug Buttons, Black	1	1
4		1025729	Screw, Phillips Pan Head Tap (#8-32 x 3/8")	1	2
5		1002343	Footplate, Aluminum, Extra Large, Black - Right (7" W x 8-1/2" L)	1	1
5		1002344	Footplate, Aluminum, Extra Large, Black - Left (7" W x 8-1/2" L)	1	1
5		44200X025	Footplate, Aluminum, Extra Large, Black - Right (8" W x 8-1/2" L)	1	1
5		44200X026	Footplate, Aluminum, Extra Large, Black - Left (8" W x 8-1/2" L)	1	1
6		1130582	Package, Plug Button, Black (7/8")	10	1
7		1036123	Spring, Leaf	1	1

NOTE: A - Includes items 2-7.

### #1 Pivot/Slide Tube w/ Extra Large Aluminum Footplate Assembly

Footplate Style	Chair Width	Right	Left
AT5044, AT5044LIFT	14" - 15"	1153941	1153942
AT5044, AT5044LIFT	16" - 24"	1132084	1132085