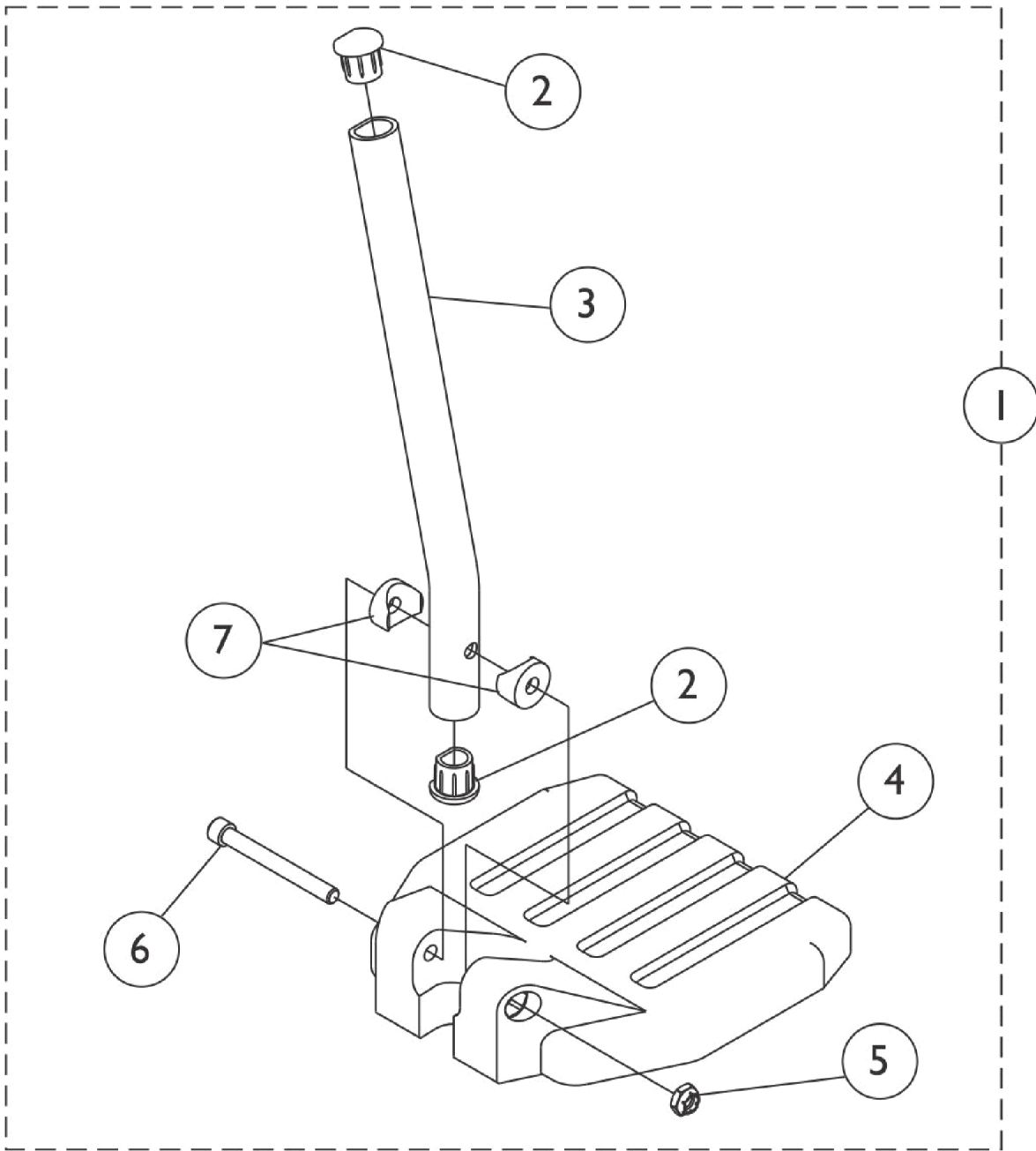


Footplate and Pivot Tube Assemblies 1651 Composite



Used on Wedge Style Elevating Legrest AT5044

SCM_435A

Footplate and Pivot Tube Assemblies 1651 Composite

Item Number	Note	Part Number	Description	Quantity Per	
				Package	Assembly
1	A	See Chart	#1 AT5044 Elevating Legrest - Wedge Style	1	1
2		1134427	Package, Plug Button, Black, "D" Shaped (3/4")	10	1
3		1134428	Pivot/Slide Tube w/ D Insert, Black	1	1
3		1134429	Pivot/Slide Tube w/ D Insert, Black (2" Longer)	1	1
4		1026879	Footplate, Composite, Small, Black (6" W x 6" L)	1	1
4		1026880	Footplate, Composite, Medium, Black (7" W x 6" L)	1	1
4		1026881	Footplate, Composite, Large, Black (8" W x 6" L)	1	1
5		1025195	Locknut (1/4-20)	1	1
6		60285X006	Screw, Socket Head (1/4-20 x 2-1/4")	1	1
7		1025457	Spacer, Coved (1/4 x 3/4 x 1 1/32")	1	2

NOTE: A - Includes items 2-7

#1 AT5044 Elevating Legrest - Wedge Style Curved End

Right/Left	Small Long 14" Wide	Small 2" Longer 14" Wide	Medium Long 15" - 16" Wide	Medium 2" Longer 15" - 16" Wide	Large Long 17" - 24" Wide	Large 2" Longer 17" - 24" Wide
Right	1132078	1132107	1132080	1132109	1132082	1132111
Left	1132079	1132108	1132081	1132110	1132083	1132112