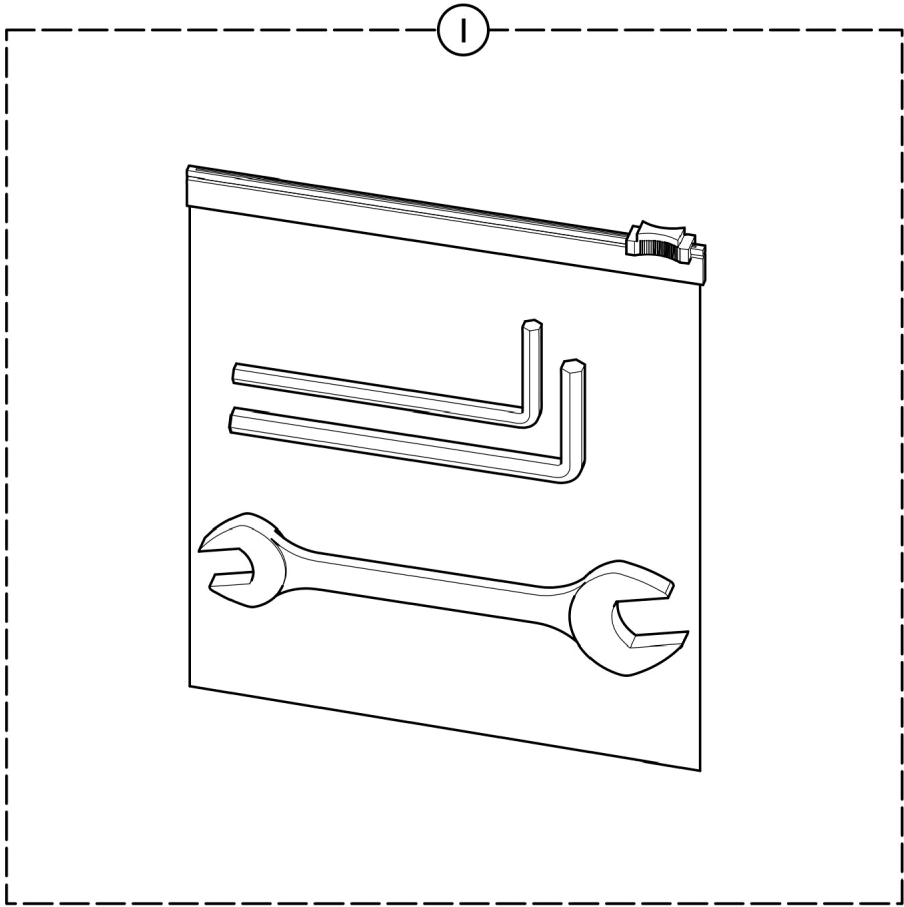


Accessories - Tool Kit



SCM_182B

Item Number	Note	Part Number	Description	Quantity Per	
				Package	Assembly
1	A	SP1603974	Tool Kit	1	1

NOTE: A - Tool Kit components are not sold individually.