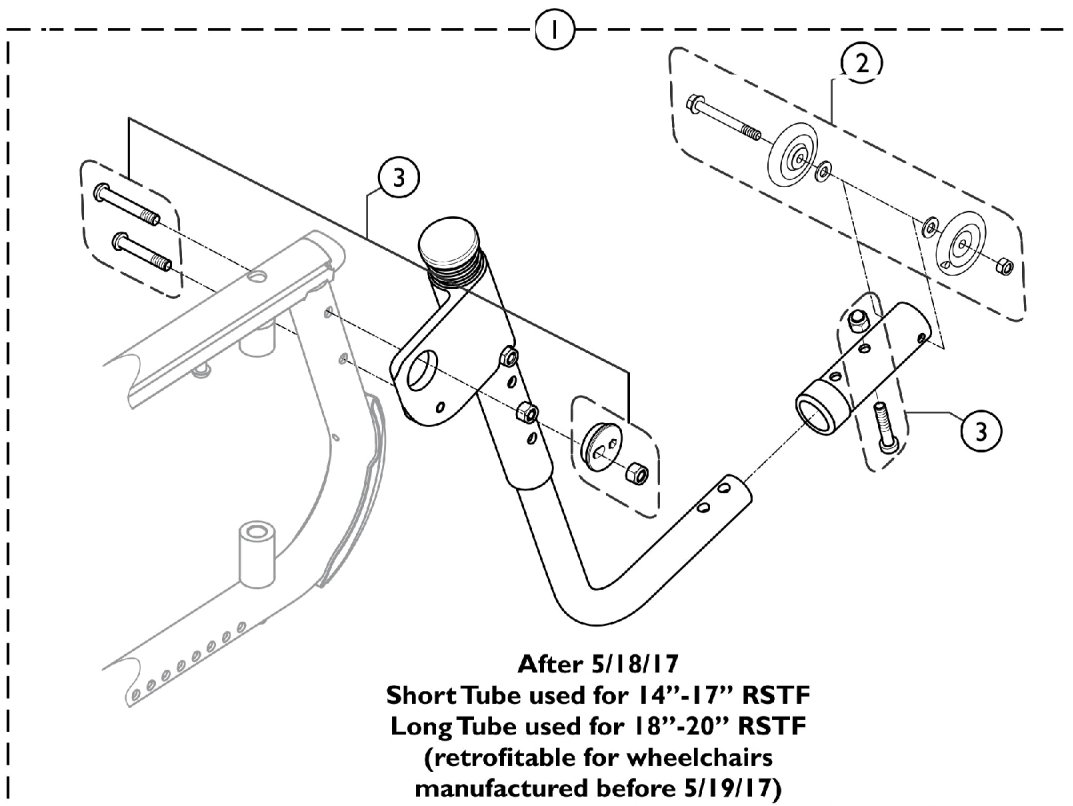
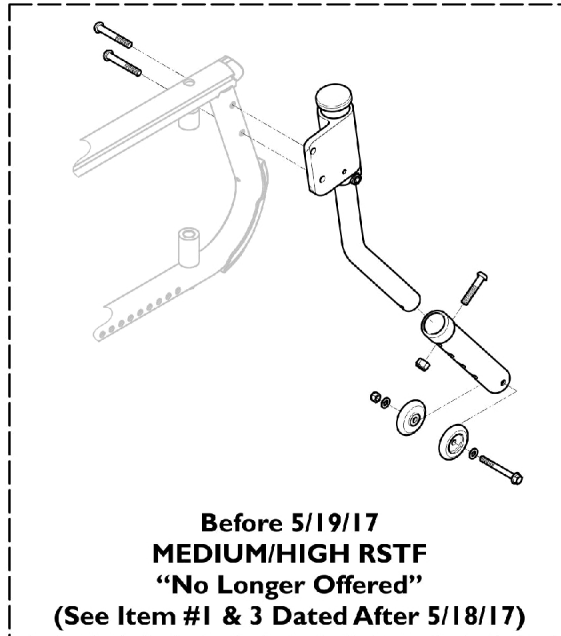
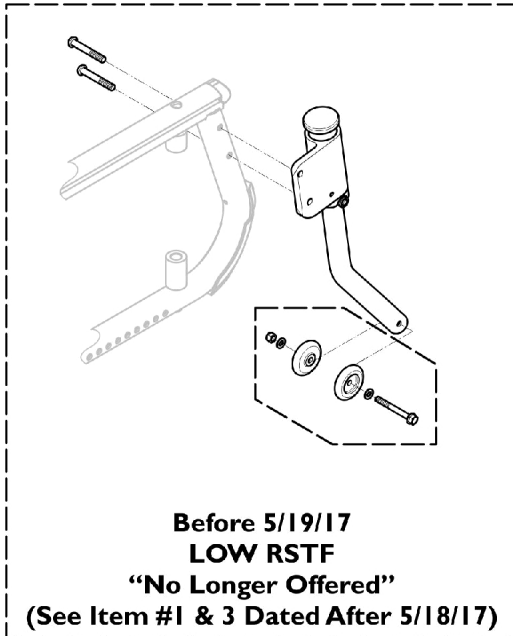


# Accessories - Anti-Tippers



## Accessories - Anti-Tippers

| Item Number | Note  | Part Number | Description   | Quantity Per |          |
|-------------|-------|-------------|---|--------------|----------|
|             |       |             |   | Package      | Assembly |
| 1           | A,B,C | SP1607127   | Kit, Anti-tipper, Active, Angle Adjustable, Short tube, Rear Seat Height (14-17") - Left  | 1            | 1        |
| 1           | A,B,C | SP1607128   | Kit, Anti-tipper, Active, Angle Adjustable, Short tube, Rear Seat Height (14-17") - Right | 1            | 1        |
| 1           | A,B,D | SP1607180   | Kit, Anti-tipper, Active, Angle Adjustable, Long tube, Rear Seat Height (18-20") - Left   | 1            | 1        |
| 1           | A,B,D | SP1607181   | Kit, Anti-tipper, Active, Angle Adjustable, Long tube, Rear Seat Height (18-20") - Right  | 1            | 1        |
| 2           |       | SP1548802   | Kit, Wheels w/ Hardware, Anti-Tippers (Washers Out)                                       | 1            | 1        |
| 3           |       | SP1607192   | Kit, Hardware, Anti-tipper  | 1            | 1        |

NOTE: A - Includes Anti-Tipper with items 2 and 3.  
 B - Whether your wheelchair is already equipped with a different design that is shown, it is recommended to order both Right and Left side Anti-Tipper Assembly Kits and item #3 (2 ea.) Anti-Tipper Hardware to match.  
 C - Replaced Anti-Tippers manufactured Before 5/19/17 that used Rear Seat to Floor setting LOW 14-15" RSTF and MEDIUM 16-17" RSTF  
 D - Replaced Anti-Tippers manufactured Before 5/19/17 that used Rear Seat to Floor setting MEDIUM 18" RSTF and HIGH 19-20" RSTF