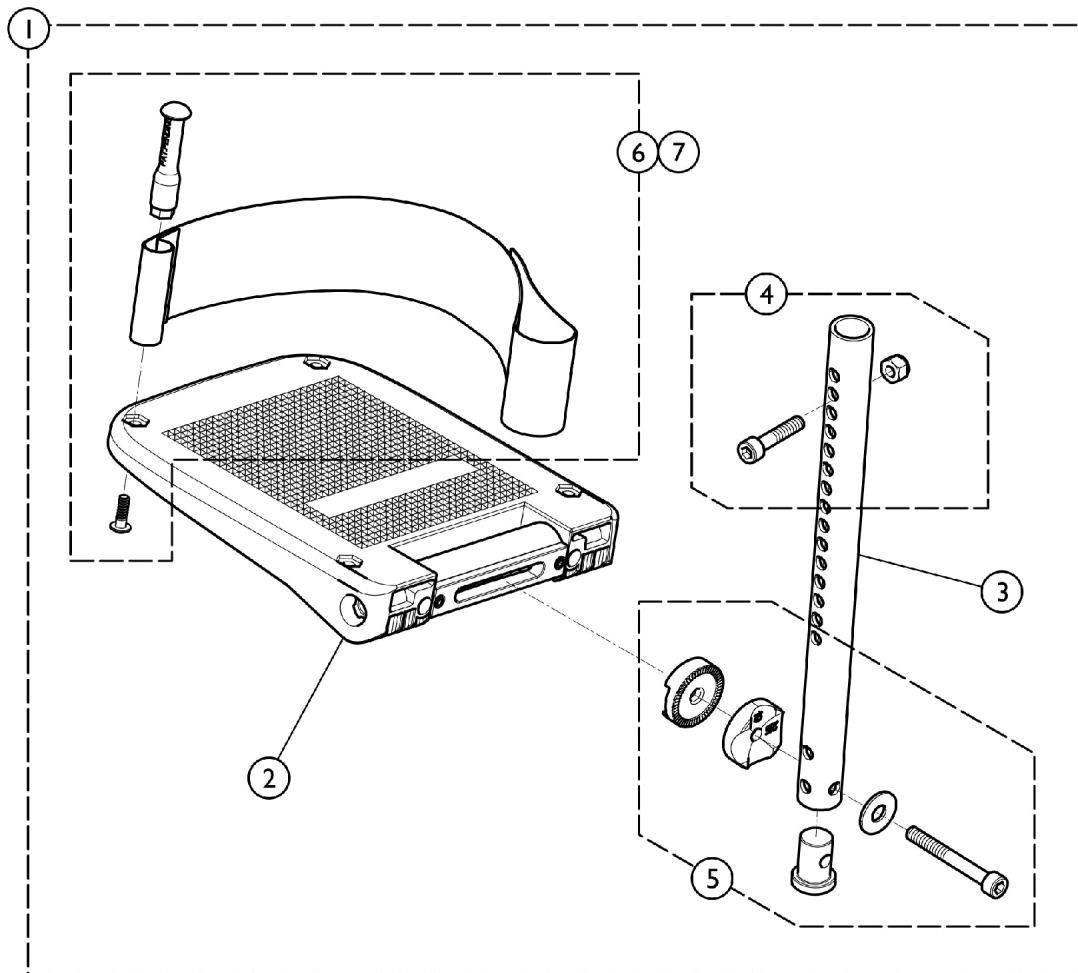


# Footrest - Adjustable Angle and Depth - Fixed Frame (FXSTD, FXL, COMADFU)



SCM\_133B

## Footrest - Adjustable Angle and Depth - Fixed Frame (FXSTD, FXL, COMADFU)

Item Number	Note	Part Number	Description	Quantity Per	
				Package	Assembly
1	A	See Chart	#1. Footrest - Complete	1	1
2		See Chart	#2. Footplate	1	1
3		SP1511849-001 0	Footrest Tube, Standard Straight, Fixed Frame	1	1
3		SP1506244-069 9	Footrest Tube, Long Straight, Fixed Frame	1	1
4		SP1602122	Kit, Hardware, Footrest Adjustable Tube w/ Fixed Frame	1	1
5		SP1641026	Kit, Hardware, Adjustable Footplate, Short Spacer	1	1
5		SP1430840	Kit, Hardware, Adjustable Footplate, Long Spacer	1	1
6	SP0587-05201	Kit, Heel Strap, Adjustable, Small	1	1	
7	SP1492315	Kit, Heel Strap, Adjustable, Medium	1	1	

NOTE: A - Includes items 2, 3, 4, 5, 6, and item 7.

### #1. Footrest - Complete

Chair Width	Standard Tube	Long Tube
12" W - Left	SP1591045	SP1587451
12" W - Right	SP1591046	SP1587452
13" W - Left	SP1591047	SP1587453
13" W - Right	SP1591052	SP1587454
14" W - Left	SP1591053	SP1587455
14" W - Right	SP1591054	SP1587456
15" W - Left	SP1591055	SP1587457
15" W - Right	SP1591056	SP1587458
16" W - Left	SP1587513	SP1587459
16" W - Right	SP1587604	SP1587460
17" W - Left	SP1587615	SP1587461
17" W - Right	SP1587616	SP1587462
18" W - Left	SP1587617	SP1587463
18" W - Right	SP1587698	SP1587464
19" W - Left	SP1587699	SP1587465
19" W - Right	SP1587747	SP1587466
20" W - Left	SP1587748	SP1587467
20" W - Right	SP1587749	SP1587468
21" W - Left	SP1590816	SP1601794
	See Note(s) A	See Note(s) A
21" W - Right	SP1590817	SP1601795
	See Note(s) A	See Note(s) A

NOTE: A - Includes Heel Strap.

# Footrest - Adjustable Angle and Depth - Fixed Frame (FXSTD, FXL, COMADFU)

## #2. Footplate

Size	Chair Width	Part Number
4-1/4"	12 - 13" W	SP5106371
5-1/4"	14" W	SP5106373
5-1/2"	15" W	SP5106374
6-1/8"	16" W	SP5106375
6-1/2"	17, 19, 20, 21" W	SP5106594
7"	18" W	SP5106376