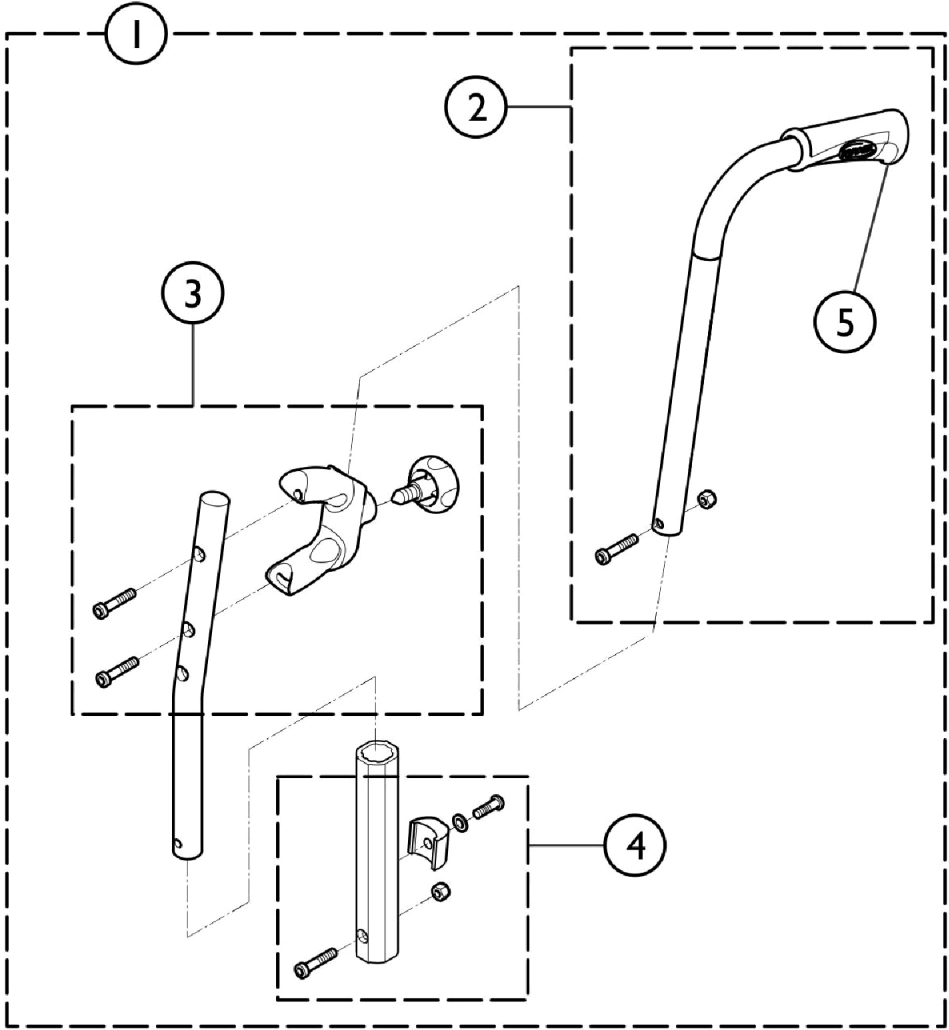


Adjustable, Rearset Pushhandle (HNDLADJ57)



SCM_202A

Adjustable, Rearset Pushhandle (HNDLADJ57)

Item Number	Note	Part Number	Description	Quantity Per	
				Package	Assembly
1	A	SP1638470	Cane, Back, Adjustable Height, Rearset Push Handle, Short Tube (14-16")	1	2
1	A	SP1638471	Cane, Back, Adjustable Height, Rearset Push Handle, Short Tube (16-20")	1	2
1	A	SP1584747	Cane, Back, Adjustable Height, Rearset Push Handle, Long Tube (14-16")	1	2
1	A	SP1584764	Cane, Back, Adjustable Height, Rearset Push Handle, Long Tube (16-20")	1	2
2		SP1638472	Kit, Rearset Push Handle Tube, Short	1	2
2		SP1450574	Kit, Rearset Push Handle Tube, Long	1	2
3		SP1451818	Kit, Rearset Push Handle Support	1	2
4		SP1589825	Kit, Adjustable Back Cane, Tube Hardware	1	2
5		SP1435420	Handle, Back Cane (7/8")	1	2

NOTE: A - Includes items 2, 3, 4, and item 5.